

**HOMETOWN**  
**VINYLS**  
**TOWN**

HOMETOWN BEAUTY, HOMETOWN PRIDE







Through our **Hometown Vinyl** brand we offer a complete line of top quality vinyl fencing in an array of unique styles in privacy, semi privacy and picket panels. Our vinyl fencing is manufactured with 100% virgin PVC for ultimate durability at our state of the art manufacturing facility. Hometown Vinyl maintenance-free fence is available in multiple size configurations and color options that will add prestige and value to any property. We supply a variety of post cap options that will complement all of our fence styles.

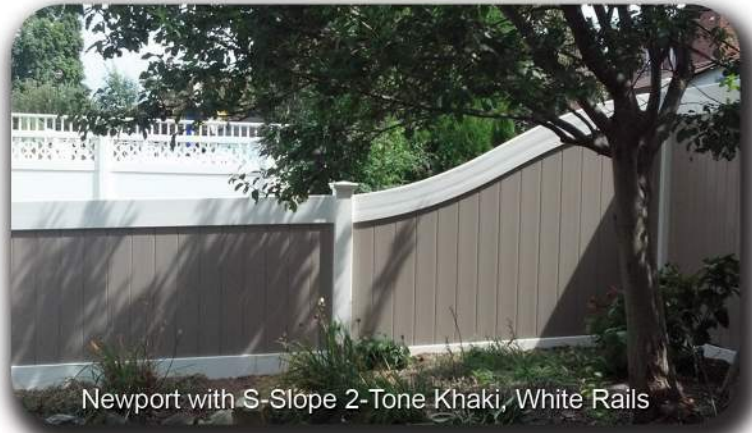
To this day we continue to conduct business with the same regard for quality, value and integrity since 1923. As we look to the future we will continue to strive to manufacture high quality fencing with the finest materials and leading technology to create that long lasting timeless fence.



# GALLERY



Georgetown Fence with Deco Rail, Essex Gate



Newport with S-Slope 2-Tone Khaki, White Rails



Pergola



Georgetown with 2" Square Lattice



Georgetown with 2-3/4" Diamond Lattice



Essex



Georgetown with Square Lattice, Arch Gate



# PICKET STYLES

## ASBURY



**Heights:** 3', 4', 5', 6'  
**Colors:** White, Almond, Khaki  
**Rails:** 2" x 3 1/2" Top & Bottom Rail  
 Aluminum reinforcement for bottom rail.  
**Pickets:** 7/8" x 3" Dog Ear & Spade picket caps  
**Picket Spacing:** 3" or 1 3/4"  
**Posts:** 4" x 4" or 5" x 5" for 6' h  
**Pool Code:** 5', 6' h

## FREEHOLD



**Heights:** 3', 4', 5', 6'  
**Colors:** White, Almond & Khaki  
**Rails:** 2" x 3 1/2" Top & Bottom Rail  
 Aluminum reinforcement for bottom rail.  
**Pickets:** 7/8" x 3" Dog Ear & Spade picket caps  
**Picket Spacing:** 3" or 1 3/4"  
**Posts:** 4" x 4" or 5" x 5" for 6' h  
**Pool Code:** 5', 6' h  
 Available in Convex and Concave styles.

## TUCKERTON



**Heights:** 3', 4', 5', 6'  
**Colors:** White & Almond  
**Rails:** 2" x 3 1/2" Top Rail. 2" x 6" Bottom Rail  
**Pickets:** 7/8" x 3" Dog Ear & Spade picket caps  
**Picket Spacing:** 3" or 1 3/4"  
**Posts:** 5" x 5"  
**Pool Code:** 5', 6' h

## GALLOWAY



**Heights:** 3', 4', 5', 6'  
**Colors:** White & Almond  
**Rails:** 2" x 3 1/2" Top Rail. 2" x 6" Bottom Rail.  
**Pickets:** 7/8" x 3" Dog Ear & Spade picket caps  
**Picket Spacing:** 3" or 1 3/4"  
**Posts:** 5" x 5"  
**Pool Code:** 5', 6' h  
 Available in Convex and Concave Styles.



**ESSEX**



**Heights:** 3', 4', 5', 6'  
**Colors:** White & Almond  
**Rails:** 2" x 3 1/2" Top Rail, 2" x 6" Bottom Rail  
**Pickets:** 1 1/2" square  
**Picket Spacing:** 1 3/4"  
**Posts:** 5" x 5"  
**Pool Code:** 5', 6'h  
 Available in Convex & Concave Styles.

**HANOVER**



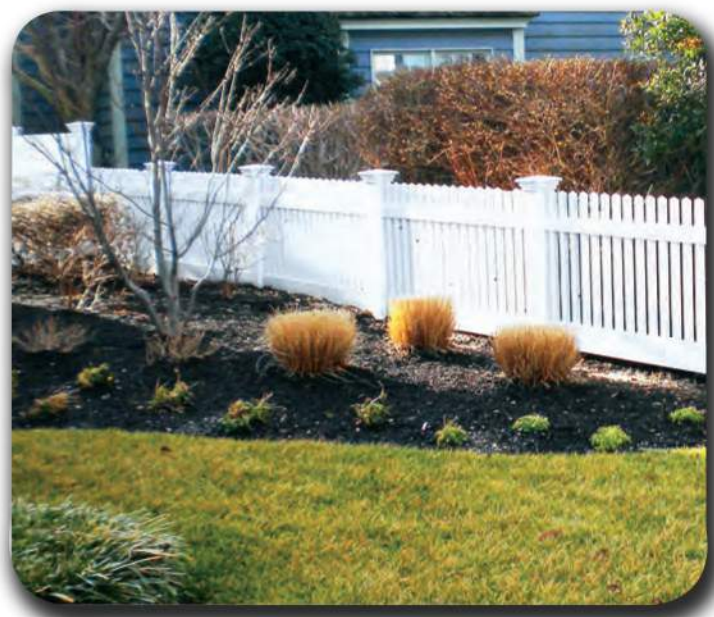
**Heights:** 3', 4', 5', 6'  
**Colors:** White & Almond  
**Rails:** 2" x 3 1/2" Top Rail. 2" x 6" Bottom Rail.  
**Pickets:** 1 1/2" Square  
**Picket Spacing:** 1 3/4"  
**Posts:** 5" x 5"  
**Pool Code:** 5', 6'

**KENT**



**Heights:** 3', 4', 5', 6'  
**Colors:** White & Almond  
**Rails:** 2" x 3 1/2" Top Rail & Mid Rail. 2" x 6" Bottom Rail.  
**Pickets:** 1 1/2" Square  
**Picket Spacing:** 1 3/4"  
**Posts:** 5" x 5"

**VENTNOR**

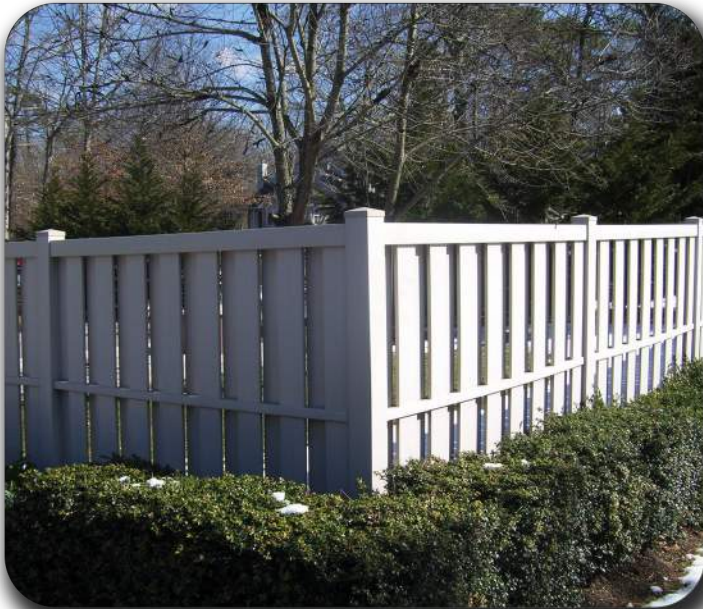


**Heights:** 3', 4', 5', 6'  
**Colors:** White & Almond  
**Rails:** 2" x 3 1/2" Top Rail. 2" x 6" Bottom Rail.  
**Pickets:** 1 1/2" Square  
**Picket Spacing:** 1 3/4"  
**Posts:** 5" x 5"  
**Pool Code:** 5', 6' h



# SEMI-PRIVACY

## LONGWOOD



**Heights:** 3', 4', 5', 6'  
**Colors:** White & Almond  
**Rails:** 4"x4" Top & Bottom Rail.  
2"x3 1/2" Middle Rail for 5', 6' h - *Mid Rail in Center of Section*  
**Pickets:** 7/8" x 6"  
**Picket Spacing:** 1/2" overlap  
**Posts:** 5"x5"  
**Pool Code:** 4', 5', & 6' h

## PLYMOUTH



**Heights:** 3', 4', 5', 6'  
**Colors:** White & Almond  
**Rails:** 2" x 3 1/2" Top Rail.  
2" x 6" Bottom Rail.  
**Pickets:** 7/8" x 6" with Dog Ear caps  
**Picket Spacing:** 1/2"  
**Posts:** 4" x4", 5" x5" for 6' h  
**Pool Code:** 4', 5', 6' h  
**Note:** Limited racking for this style

## CARLISLE



**Heights:** 3', 4', 5', 6'  
**Colors:** White & Almond  
**Rails:** 2"x6" Top & Bottom Rails  
2" x 3 1/2" Middle Rail for 5', 6' h  
**Pickets:** 7/8" x 6"  
**Picket Spacing:** 1/2"  
**Posts:** 5" x5"  
**Pool Code:** 4', 5', 6' h



*A middle rail is added for structural integrity to 5' H & 6' H Greenwich, Carlisle, Fairfield, Arcadia & Princeton styles. It is placed 12" from the Top Rail as shown.*



# CLOSED TOP PICKET STYLES

## FAIRFIELD



**Heights:** 3', 4', 5', & 6'  
**Colors:** White & Almond  
**Rails:** 2" x 3 1/2" Top & Bottom Rail, 2" x 3 1/2" mid rail for 5', 6' h.  
Aluminum reinforcement for bottom rail.  
**Pickets:** 7/8" x 1 1/2" & 7/8" x 3" alternating.  
**Picket Spacing:** 1 3/4"  
**Posts:** 4" x 4", 5" x 5" for 6' h  
**Pool Code:** 4', 5', & 6' h

## ARCADIA



**Heights:** 3', 4', 5' & 6'  
**Colors:** White & Almond  
**Rails:** 2" x 3 1/2" Top & Bottom Rail, Mid Rail for 5', 6' h  
Aluminum reinforcement for bottom rail.  
**Picket Spacing:** 3", 1 3/4", 1"  
**Posts:** 4" x 4", 5" x 5" for 6' h  
**Pool Code:** 4', 5' & 6' h

## GREENWICH



**Heights:** 3', 4', 5' & 6'  
**Colors:** White & Almond  
**Rails:** 2" x 3 1/2" Top & Bottom Rail. Mid Rail for 5', & 6' h  
Aluminum reinforcement for bottom rail.  
**Pickets:** 1 1/2" Square  
**Picket Spacing:** 1 3/4" or 3 1/2"  
**Posts:** 4" x 4", 5" x 5" for 6' h  
**Pool Code:** 4', 5', & 6' h

## PRINCETON



**Heights:** 3', 4', 5' & 6'  
**Color:** White & Almond  
**Rails:** 2 x 3-1/2" Top Rail, 2 x 3-1/2" Middle Rail for 5', 6'h  
2 x 3-1/2" Bottom Rail with aluminum reinforcement insert  
**Pickets:** 7/8 x 1-1/2, 7/8 x 6 alternating  
**Picket spacing:** 1/2"  
**Posts:** 5" x 5"  
**Pool code:** 4', 5', & 6' h



# PRIVACY STYLES

## BRANDYWINE



**Heights:** 3', 4', 5', 6', 7' & 8'  
**Colors:** White, Almond, Khaki  
**Rails:** 2" x 3 1/2" Top Rail, 2" x 7" Middle & Bottom Rail.  
**Pickets:** 7/8" x 6" Tongue and Groove.  
 1 1/2" square pickets on top accent.  
**Picket Spacing:** 1 3/4" on top accent.  
**Posts:** 5" x 5"  
**Pool Code:** 5', 6', 7' & 8' h

## GEORGETOWN



**Heights:** 3', 4', 5', 6', 7' & 8'  
**Colors:** White, Almond, Khaki  
**Rails:** 2" x 3 1/2" Top Rail, 2" x 7" Middle & Bottom Rail.  
**Pickets:** 7/8" x 6" Tongue and Groove.  
**Lattice:** 1" Privacy  
**Posts:** 5" x 5"  
**Pool Code:** 5', 6', 7' h

## NEWPORT



**Heights:** 3', 4', 5', 6', 7' & 8'  
**Colors:** White, Almond & Khaki  
**Rails:** 2" x 7" Top and Bottom Rail  
**Pickets:** 7/8" x 6" Tongue and Groove.  
**Posts:** 5" x 5"  
**Pool Code:** 5', 6', 7', & 8' h



Available in Convex

## CANTERBURY



**Heights:** 3', 4', 5', 6', 7' & 8'  
**Colors:** White, Almond & Khaki  
**Rails:** 2" x 3 1/2" Top Rail, 2" x 7" Middle & Bottom Rail  
**Pickets:** 1 1/2" Square top accent.  
 7/8" x 6" Tongue and Groove.  
**Picket spacing:** 3" on top accent  
**Posts:** 5" x 5"  
**Pool Code:** 5', 6', 7', & 8' h



# SPECIFICATIONS



## Privacy Fence Styles:

- Brandywine**
- Georgetown**
- Newport**
- Canterbury**

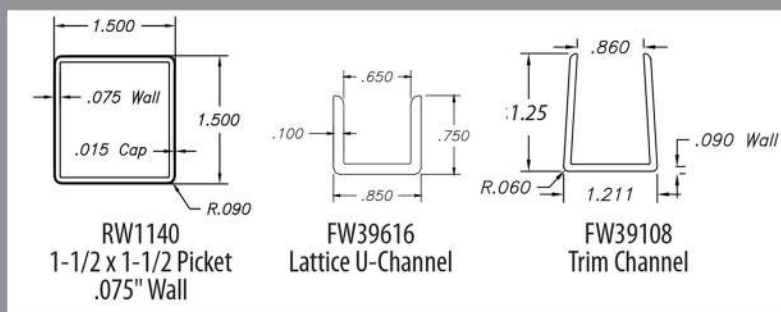
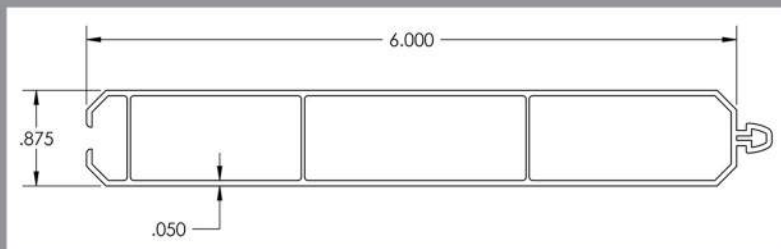
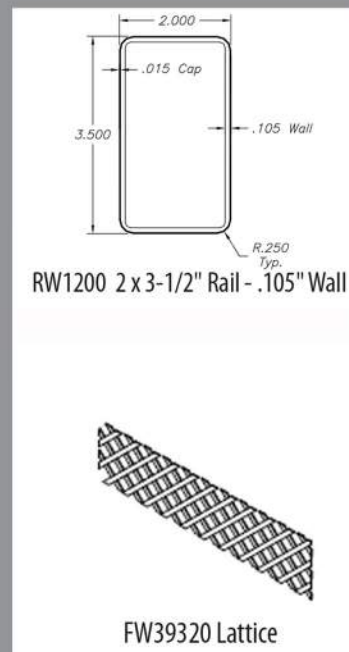
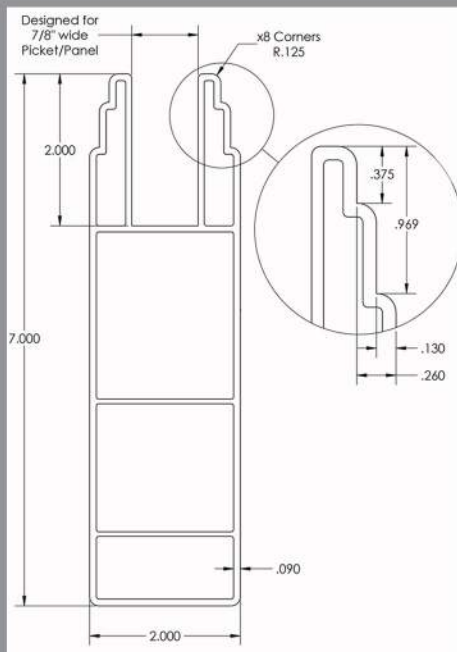
## Contemporary & Deco Rail Available in White, Almond & Khaki

HomeTown Vinyl Systems is a member of the SCIW Fence Products family. With over 90 years of experience in the manufacturing and distribution of quality fencing products SCIW Fence Products Inc. brings integrity and expertise to the vinyl fence industry.

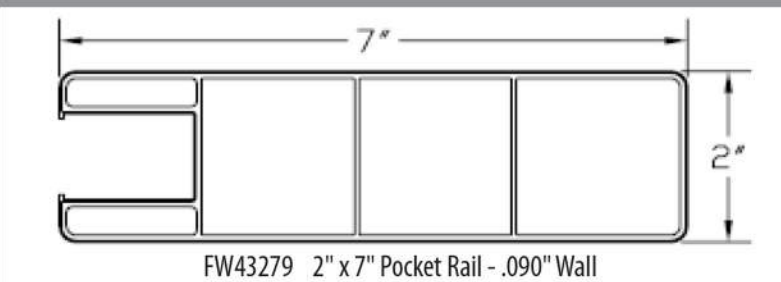
With quality and durability in mind, HomeTown Vinyl Systems uses PVC profiles extruded by Westech Building Products which uses premium custom-blended 100% virgin vinyl\* formulas for superior weather ability, color stability, strength and flexibility. Westech extrusions are co-extruded to high standards and have been time-tested since 1982.

\*ASTM Standard number F 964-94 prohibits the use of recycled materials in vinyl fencing,

## 2" x 7" Deco Rail



## 2" x 7" Contemporary Rail



SPECIFICATIONS



# RANCH RAIL

## 3 RAIL



Heights: 4'  
Colors: White, Almond  
Rails: 1 1/2" x 5 1/2"  
Posts: 5" x 5"  
Post Spacing: 96" on Center

## CROSSBUCK RAIL



Heights: 4', & 5'  
Colors: White & Almond  
Rails: 1 1/2" x 5 1/2"  
Posts: 5" x 5"  
Post Spacing: 92" on Center

## BLACK RANCH RAIL



Heights: 4'  
Colors: Black  
Rails: 2" x 6"  
Posts: 5" x 5"  
Post Spacing: 96" on Center

## 2 RAIL



Heights: 3'  
Colors: White & Almond  
Rails: 1 1/2" x 5 1/2"  
Posts: 5" x 5"  
Post Spacing: 96" on Center



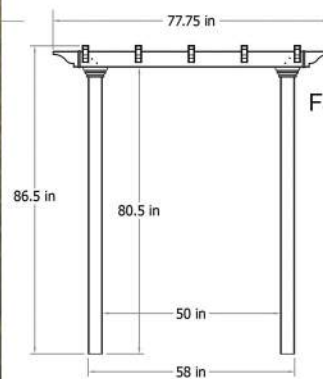
# ARBORS

Newport Arbor

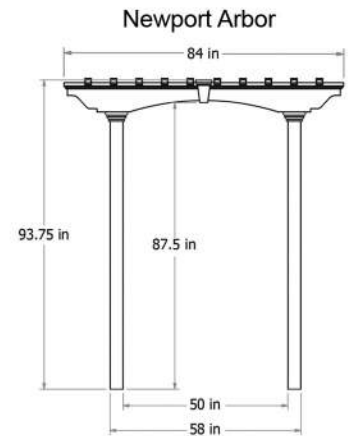


Fairfield Arbor

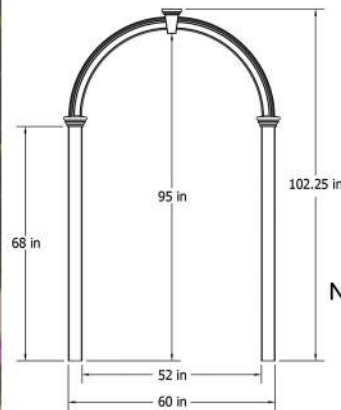
Nantucket Arbor



Fairfield Arbor



Newport Arbor



Nantucket Arbor

*Arbors Available in White Only*



# POSITIVE INTERLOCK DESIGN

## POSITIVE INTERLOCK DESIGN

Hometown Vinyl Manufactures Privacy panels with POSITIVE INTERLOCK DESIGN that is specifically engineered to ensure a clean, seamless privacy panel look and POSITIVE INTERLOCK DESIGN provides superior wind load resistance when compared to standard tongue-and-groove panel systems. Pickets DO NOT blow out during high winds. You can be confident your Hometown Vinyl fence will have long-lasting beauty that will add value to your home for years to come.



Sagging bottom rails will lead to blown out pickets! The structural integrity of our 2" x 7" privacy rail is unmatched!



Our picket fence is manufactured with routed rails to eliminate dislodged pickets



No more glue - no more lost or missing picket caps. Invest in Advanced Sonic Weld Vinyl Picket Cap Technology and enjoy years of maintenance free vinyl picket fencing.



# NEW STYLES

*These New Accent Styles were designed to enhance your beautiful space....*

## LEWES



**Heights:** 4' ONLY  
**Colors:** White & Almond  
**Rails:** 2" x 3 1/2" Top & Bottom Rail  
 7/8" x 3" Pickets used as middle rail to stabilize lattice  
 Aluminum reinforcement for bottom rail  
**Pickets:** 1" diamond lattice sheet  
**Posts:** 5" x 5"

## BETHANY



**Heights:** 4', 5', & 6'  
**Colors:** White Only  
**Pickets:** 7/8" x 6" Horizontal 1/8" spaced. 7/8" x 3" Vertical  
 Basket weave style design  
**Posts:** 5" x 5"  
*Note: Not a structural fence*

## LAUREL



**Heights:** 4', 5', 6'  
**Colors:** White, Almond & Khaki  
**Rails:** 2 x 3 1/2" Top & Bottom Rail  
 Aluminum reinforcement for bottom rail.  
**Pickets:** 7/8" x 1 1/2" Horizontal, 1 1/2" square vertical pkts.  
**Spacing:** 3" horizontal & vertical  
**Posts:** 5" x 5"

## CAMDEN



**Heights:** 4', 5', & 6'  
**Colors:** White Only  
**Pickets:** 7/8" x 6" Horizontal overlapping Louver – 1.5" spaced  
**Posts:** 5" x 5"  
*Note: Not a structural fence*



# GATE HARDWARE



## D&D Technologies

World's most trusted gate hardware

### LOKK LATCH PRO



This is the privacy latch fencing contractors and locksmiths have been waiting for! Award-winning Lokk•Latch PRO® is the most sophisticated privacy and security gate latch ever devised. This quality, two-part latch can be operated and locked from either side of the gate! It can be conveniently keyed-alike (by a locksmith) to match most household doors by way of its sturdy 6-pin security lock. This stylishly designed latch is manufactured from molded, rust-proof polymer materials and marine-grade stainless steel components, all of which ensure a robust, high-impact product that's designed to last.

### MULTI ADJUST HINGE



The Tru•Close® "MULTI-ADJUST™" tension-adjustable hinge is the ideal hinge for vinyl or wood gates. This revolutionary heavy duty hinge offers the ultimate range of vertical and horizontal adjustment, plus tension adjustment, for large, heavy or high traffic gates. This, combined with fast, convenient fitting alignment, makes the MULTIADJUST™ from Tru•Close® the ideal "big gate hinge." The MULTI-ADJUST hinge carries all the usual Tru•Close® hinge benefits: no rusting, no binding, no sagging and no staining! The most notable feature is the horizontal and vertical adjustment – the ability to adjust the hinge (the gate) up to 3/4" (19mm) in either a vertical or a horizontal direction at any time after installation.

### MAGNA LATCH



Ideal for Swimming Pools and other Child Safety Gates. Easy to install within minutes. The high mounting position is specially designed to be out of reach of children. Combine this product with our Tru•Close® self-closing gate hinges for the ultimate in safe and dependable gate operation.

## Color Chart

It's your choice. Any one of our 3 colors are made to stand the test of time, and give your property that distinctive look for years to come. Check with your local dealer for availability and current lead times. (colors are approximate)

WHITE

ALMOND

KHAKI



# POST CAPS

Vinyl post caps shown below are available in all colors and are also covered by the lifetime warranty .



**GOTHIC**



**DOME**



**TEARDROP**



**SOLAR**



**EXTERNAL**



**COACHMAN**



**NEW ENGLAND**



**LIGHTED**



**FEDERATION**

The full Hometown Vinyl warranty is viewable on our website at [www.hometownvinyl.com](http://www.hometownvinyl.com)

## WARRANTY

Backed by the most comprehensive warranties in the business, our vinyl fence is sure to stand the test of time. Our White, Almond and Khaki, fence materials are covered by a 50 year prorated warranty, that is also transferable to a second homeowner. See your local dealer for a copy of either warranty form.





**Proudly Manufactured in the USA**

**MANUFACTURED BY:**



**SCIW FENCE PRODUCTS**

*Wholesale Distributor of  
Quality Fencing Products*



**Mickleton, NJ**

**Member of:**



**VINYL FENCE, DECK AND RAILING  
MANUFACTURERS ASSOCIATION**  
A Division of the American Fence Association



**PROFESSIONALLY INSTALLED BY:**