

IRON



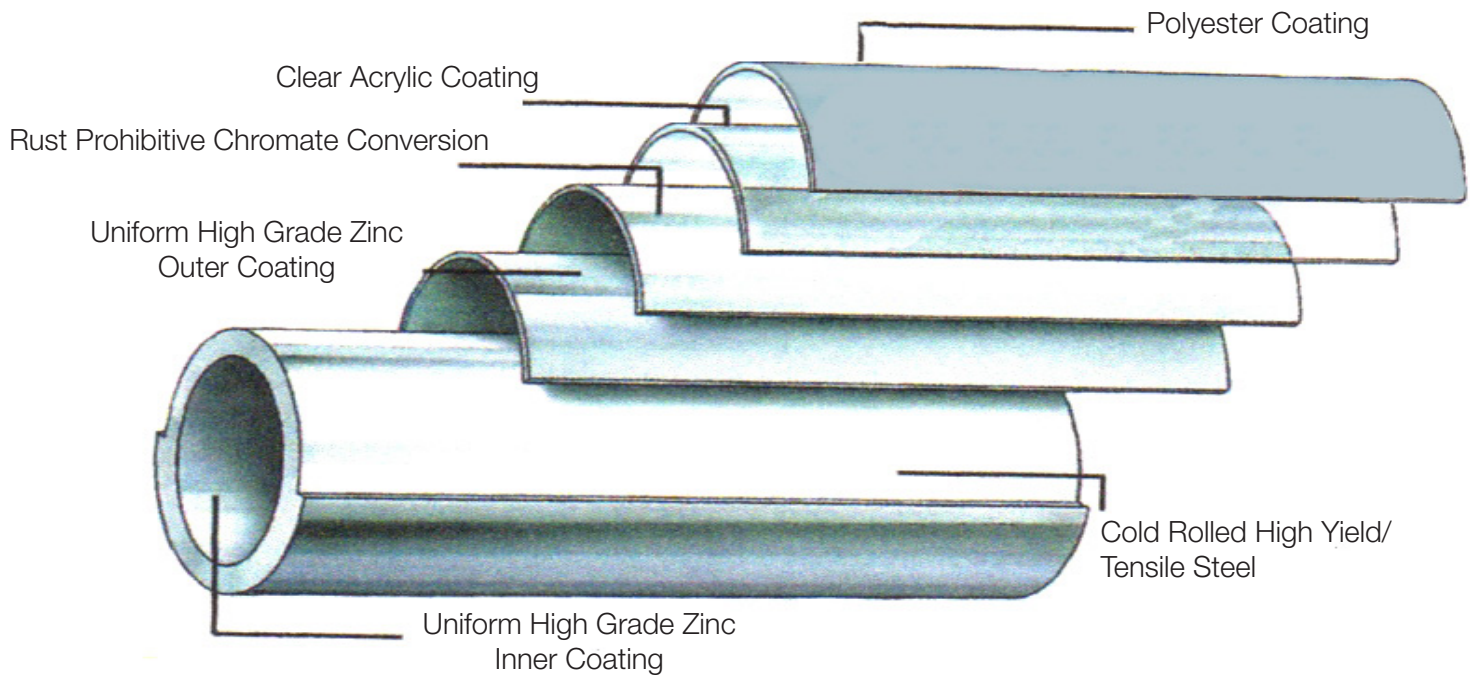
WORLD

Residential, Commercial

& Industrial Fencing Solutions

IRON SHIELD

Polyester Color Fence Framework



MADE IN THE USA



All IW 40 products from Iron World Mfg. are manufactured in the USA and are in compliance with Federal, State and Local specifications. We meet "Buy America(n)" requirements.



1-888-487-3448 IRONWORLD FENCING.COM

IRON WORLD

Residential, Commercial

& Industrial Fencing Solutions

IW 15 POSTS	Outside Dimensions (in.)	Pipe Wall Thickness (in.)	Weight (lbs./ft)	Section Modulus (inches ³)	Yield Strength (PSI)	Bending Moment (lbs. in.)	Bending Strength (lbs.)	
							4' Cantilever	6' Cantilever
1 5/8" O.D.	1.660	0.072	1.22	0.1367	50,000	6,835	142	95
1 7/8" O.D.	1.900	0.072	1.41	0.1821	50,000	9,104	190	126
2 3/8" O.D.	2.375	0.072	1.77	0.2911	50,000	14,556	303	202
TOP RAIL							10' Free Supported	
1 3/8" O.D.	1.315	0.072	.96	0.0829	50,000	4,143	138	
1 5/8" O.D.	1.660	0.072	1.22	0.1367	50,000	6,835	228	

IW 20 POSTS	Outside Dimensions (in.)	Pipe Wall Thickness (in.)	Weight (lbs./ft)	Section Modulus (inches ³)	Yield Strength (PSI)	Bending Moment (lbs. in.)	Bending Strength (lbs.)	
							6' Cantilever	
1 7/8" O.D.	1.900	.090	1.74	0.2212	50,000	11,060	154	
2 3/8" O.D.	2.375	.095	2.32	0.3731	50,000	18,655	259	
2 7/8" O.D.	2.375	.110	3.25	0.6364	50,000	31,820	442	
TOP RAIL							10' Free Supported	
1 3/8" O.D.	1.315	.080	1.06	0.0904	50,000	4,519	151	
1 5/8" O.D.	1.660	.085	1.43	0.1576	50,000	7,880	263	

IW 40 POSTS	Outside Dimensions (in.)	Pipe Wall Thickness (in.)	Weight (lbs./ft)	Section Modulus (inches ³)	Yield Strength (PSI)	Bending Moment (lbs. in.)	Bending Strength (lbs.)	
							6' Cantilever	
1 7/8" O.D.	1.900	.120	2.28	0.2810	50,000	14,050	195	
2 3/8" O.D.	2.375	.130	3.12	0.4881	50,000	24,405	339	
2 7/8" O.D.	2.375	.160	4.64	0.8778	50,000	43,890	610	
TOP RAIL							10' Free Supported	
1 5/8" O.D.	1.660	.111	1.84	0.1961	50,000	9,805	327	

MANUFACTURING PROCESS

- Five stage wash & pre-treatment system, including a multi-metal phosphate conversion coating
- Dry off oven
- Electrostatic application of high-performance outdoor polyester powder
- Infrared and conventional oven cure

TEST PERFORMANCE

- Salt Spray Test as per ASTM B-117
- Weatherometer as per ASTM G155
- Adhesion as per ASTM D3359

FILM THICKNESS

3 mils of high performance outdoor polyester

WARRANTY

15 years – IW Polyester will not crack, blister, flake or craze under normal use.

ENVIRONMENTALLY RESPONSIBLE

Iron World uses environmentally friendly powder and pretreatment chemicals. No toxic heavy metals, chlorinated organics or organic solvents are used in the production. Iron World Polyester fence is recyclable.

SPECIFICATION COMPLIANCE

Iron World 40 Polyester is manufactured in compliance with ASTM F 1043-14.

1-888-487-3448 IRONWORLD FENCING.COM