

SNUG COTTAGE
Est. 1995
HARDWARE



SNUG COTTAGE HARDWARE

Exterior Hardware

2019 COLLECTION AND USER GUIDE

TRADITIONAL & CONTEMPORARY DESIGNS

-

EXCEPTIONAL QUALITY

INDEX

TRADITIONAL HINGES FOR WOOD GATES

OLD FASHIONED HEAVY DUTY HINGES.....6-9
 CRANKED BANDS WITH PINS.....10-13
 DUMMY OR “FAUX” HINGES.....13
 STAINLESS STEEL CONVENTIONAL SELF CLOSING HINGES.....14
 HINGES WITH PINS TO SCREW.....15

TRADITIONAL LATCHES, CLOSERS, AND CANE BOLTS FOR WOOD GATES

TWISTED RING GATE LATCHES.....16-18
 PADLOCK EYES.....18
 TWISTED RING PULLS.....19
 FAUX HANDLES.....19
 HAMPTON THUMB LATCHES.....20-21
 HEAVY GRAVITY CATCHES, “BRUTUS” GATE SPRING22
 CAPE COD LATCH, GATE STOP FOR WOOD GATES.....23
 WOODEN GATE LATCHES.....24
 CABIN HOOKS, DOOR HOLDBACKS.....25
 CANNONBALL GATE CLOSER.....26
 STAINLESS STEEL CANE BOLTS/DROP RODS.....27

THE CONTEMPORARY COLLECTION (316 MARINE GRADE STAINLESS STEEL)

Cranked Band Hinges.....29
 Butt Hinges, Cabin Hook, Cleat Handles.....30
 Cane Bolts.....31
 Ring Latch.....32
 Suffolk Latch.....33



The
CONTEMPORARY
 Collection
 by Snug Cottage Hardware

See Page 28 to 33



See Page 76

INDEX

HEAVY DUTY GATE HARDWARE FOR RAIL AND SOLID GATES

HEAVY DUTY CANE BOLTS/ DROP RODS.....	34 - 35
DOUBLE STRAP HINGES WITH CENTRAL EYE.....	36 - 37
DOUBLE STRAP HINGES WITH REAR EYE.....	38 - 40
DOUBLE STRAP HINGES WITH STRAIGHT EYE, HOLD BACKS, & OTHER GATE EYES.....	41
3/4" DIAMETER PINS AND PINTELS.....	42-43
STRAIGHT SINGLE STRAP HINGES (FLAT AND CRANKED).....	43
CRANKED STRAP HINGE SETS, AND OPTIONAL BACK PLATES.....	44
LATCHES, HASP, THROW OVER GATE LOOP, SLIDE BOLT, & GATE WHEEL.....	45 - 47
QUICK CATCH STAINLESS STEEL GATE CATCH.....	48
FASTENERS & TOUCH UP PAINT.....	49

BUILD A BETTER GATE PLAN & INSTRUCTIONS.....	50 - 53
--	---------

LANDSCAPE POSTS AND CHAIN

BOSTON GARDEN POST AND CENTRAL PARK POST AND ACCESSORIES.....	54 - 55
REGULAR LINK LANDSCAPE CHAIN.....	56
VICTORIAN SPIKED LANDSCAPE CHAIN.....	57
CHAIN MOUNTING ACCESSORIES.....	58 - 59

DISTINCTIVE HARDWARE FOR PVC

HAMPTON THUMB LATCH.....	60
TWISTED RING GATE LATCH.....	61
9" & 12" ADJUSTABLE OLD FASHIONED HINGES.....	62 - 63

CONVENTIONAL STAINLESS HARDWARE FOR PVC & ORNAMENTAL ALUMINUM

ADJUSTABLE SELF CLOSING HINGES AND LATCHES FOR PVC.....	64 - 65
CANE BOLTS/ DROP RODS, GATE SPRING, GATE STOP FOR PVC.....	66 - 67
HINGES, LATCHES, AND CANE BOLT/DROP ROD FOR ALUMINUM.....	68 - 69

PRODUCTS DISTRIBUTED BY SNUG COTTAGE HARDWARE

ROLLING DOOR HARDWARE AND ACCESSORIES.....	70 - 72
BOSTON POST HOLE DIGGER, HAND TWIST AUGER DIGGER.....	73
BORG LOCKS COMBINATION CONTROLLED ACCESS.....	74 - 76
D & D TECHNOLOGIES HARDWARE.....	77

PRODUCT SELECTION INFORMATION

METAL FINISHING INFORMATION.....	4
METAL TYPE INFORMATION.....	5
SNUG COTTAGE HARDWARE METAL FINISHES.....	5
HOW DOES MY THUMB LATCH SWING?	78
THE SNUG COTTAGE DIFFERENCE.....	79

METAL FINISHING INFORMATION

BPPCG – BLACK POLYESTER POWDER COATED OVER HOT DIPPED GALVANIZED PRODUCTS

Our BPPCG products start out as formed Carbon Steel parts. They are then Hot Dipped Galvanized to prevent rusting, extensively washed, treated with Zinc Phosphate, E-Coated and last our high quality Polyester Powder Coat is applied as the final finish layer. This process is extensive but it yields a final product that is both beautiful and extremely rust resistant. Please read the details below for more information about this process.

CARBON STEEL

Snug Cottage specifies a high quality carbon steel for all our steel based products. The advantages to using Carbon Steel are that it is very strong and reasonably priced. Its chief disadvantage is that, in its untreated state, carbon steel rusts very quickly when exposed to water and/or salt.

HOT DIPPED GALVANIZING

The term “galvanizing” is used today to describe two completely different processes. Originally, “galvanizing” referred to the process which is better described as Hot Dipped Galvanizing. During the process of hot dipped galvanizing the product is acid washed and then dipped into a vat of molten zinc which results in the product being fully coated in a layer of corrosion resistant zinc. This process is not exact in that while all parts of the product are coated, the coating varies in thickness and may have uneven areas as the excess zinc runs off the surface when it is removed from the vat. Hot Dipped Galvanizing creates a metallurgical bond between the steel and zinc, in the event of damage to the zinc coating rust does not migrate under the zinc. In later years the term “galvanized” was also applied to products that are coated with a very thin layer of zinc that is applied electrostatically. This “galvanize” coating sits on top of the steel and while this produces an even smooth coat it offers very poor protection against rusting. In the event of damage to the electroplate rust migrates readily under the coating.

Snug Cottage Hardware only sells product that is galvanized using the hot dipped process.

ZINC PHOSPHATE

Zinc phosphate is an inorganic chemical compound used as a corrosion resistant coating on metal surfaces either as part of an electroplating process or applied as a primer pigment.

E-COATING

E-coating has been used as one of the main anti-corrosive processes in the automotive industry since the 1950's. An unfinished product is immersed in a bath containing an electrophoretic paint emulsion, and then an electric current is passed through both the product and the emulsion. The paint particles that are in contact with the product adhere to the surface and build up an electrically insulating layer. This layer prevents any further electrical current passing through, resulting in a perfectly level coating even in the recessed parts of complex-shaped goods. The product is then removed from the paint bath and baked in an oven. E-coating is not UV Stable and therefore requires a polyester powder coat over it when product is intended for exterior use.

POWDER COATING

During the Powder Coating process products are hung on a rack or moving line while an electrical charge is applied to the rack or line. The parts are then moved through a sprayed mist of fine powder that has the opposite charge resulting in powder clinging to the parts. The thickness of the powdered paint can be controlled and is applied evenly with no runs or sags. After the powder is applied the product continues through an oven that bakes on the finish. Snug Cottage uses only high quality Polyester Powder Coating. Unlike the cheaper epoxy powder coats, polyester coatings are much more UV resistant and durable.

METAL TYPE INFORMATION

BLACK OVER 304 STAINLESS AND SATIN 316 MARINE GRADE STAINLESS PRODUCTS

Snug Cottage Hardware also offer a wide range of products produced using Stainless Steel. Stainless steel is initially more expensive to work with than regular carbon steel but it offers superior rust resistance and it produces a beautiful smooth finished product. Snug Cottage Hardware uses two grades of stainless steel for our products depending on their intended use. For our **Black Polyester Powder Coat** over stainless products we use Grade 304 stainless while for our Satin Stainless (bare) products we use Grade 316 stainless. Please read the details below to better understand the differences in our stainless steel product processing.

GRADE 304 STAINLESS

Also known as “18/8” stainless (containing approximately 18% chromium and 8% nickel) this is the most versatile and widely used stainless steel, available in a wider range of products, forms and finishes than any other. It has excellent forming and welding characteristics. Its chief advantage over carbon steel is that it is very rust resistant and ideally suited for most interior and exterior environments. However, it is not quite as strong as an equivalent piece of carbon steel and more expensive.

GRADE 316 STAINLESS

316 stainless steel is commonly referred to as “Marine Grade” stainless steel. It has a higher nickel content than 304 stainless steel but what distinguishes type 316 from type 304 is the addition of molybdenum, up to a maximum of 3%. Molybdenum increases the corrosion resistance of this chromium-nickel alloy to withstand attack by many industrial chemicals and solvents and, in particular inhibits pitting caused by chlorides. As such, molybdenum is one of the single most useful alloying additives in the fight against corrosion.

Note: Type 316 is the main stainless steel used in the marine environment, with the exception of fasteners and other items where strength and wear resistance are needed, then Type 304 (18-8) is typically used. Basically, while 316 stainless is much more resistant to salt and water corrosion it is not as strong and is more brittle than 304 stainless.

SNUG COTTAGE STAINLESS HARDWARE

BLACK OVER 304 STAINLESS STEEL

When we intend to powder coat over the stainless steel we use Grade 304 stainless steel for its extra durability and cost effectiveness. The parts are extensively washed, treated with a phosphate layer and then our Polyester Powder Coat is applied as the final finish.

SATIN 316 STAINLESS STEEL

We use Grade 316 Stainless for all of our stainless products that are Satin in finish for its extra corrosion resistance. Since there are no extra coatings on these products to help defend against corrosion, choosing the highest corrosion resistant base material is important. We use an abrasion process on these formed parts to produce a uniform finish and then they are washed and passivated to deter rusting.

WHY SNUG COTTAGE HARDWARE PASSIVATES STAINLESS STEEL PARTS

Stainless steel is stainless because of the protective chromium oxides on the surface. Those oxides can be removed in the manufacturing process uncovering the iron within the stainless and that iron can rust. Stainless steel is also vulnerable to contamination by plain carbon steel while it is being worked by various tools in the manufacturing process. Stainless steel is passivated by dipping the parts into a bath of acid. The acid bath dissolves any free iron or other contaminants from the surface cleaning the metal. Once it is removed from the acid the chromium re-oxidizes on the surface forming a protective stainless barrier.

OLD FASHIONED HEAVY DUTY HINGES (8292)



- AVAILABLE IN 7", 12", 14", 16", 18", 20", 24", 30" AND 36" LENGTHS
- TRADITIONAL DESIGN COMBINED WITH EXCEPTIONAL STRENGTH
- IDEAL FOR GATES, BARNs, GARAGES, GARDEN SHEDS, AND CARRIAGE HOUSES
- FORGED HEAVY DUTY STRAPS WITH CAST IRON CUPS
- HOT DIPPED GALVANIZED FINISH
- **OUR BLACK PRODUCT HAS A POLYESTER POWDER COAT FINISH APPLIED OVER A HOT DIPPED GALVANIZED FINISH**
- BLACK HINGES SUPPLIED WITH BLACK STAINLESS STEEL FASTENERS (CARRIAGE BOLTS SOLD SEPARATELY)
- THIS TRADITIONAL DESIGN HAS BEEN MANUFACTURED SINCE 1850



**FLUSH MOUNT OR JAMB MOUNT
SEE NEXT PAGE OR OUR
WEB SITE FOR HELPFUL TIPS**

SOLD IN PAIRS			
Length of Band	Pin Diameter	Product Code	
Inches	Inches	Black (BPPCG)*	Hot Dipped Galvanized**
7	1/2	8292-07SP	8292-072
12	1/2	8292-12SP	8292-122
All Stainless Steel 12" & 16" Old Fashioned Hinges (See Page 9)			
14	1/2	8292-14SP	8292-142
16	1/2	8292-16SP	8292-162
18	5/8	8292-18SP	8292-182
20	5/8	8292-20SP	8292-202
24	5/8	8292-24SP	8292-242
30	3/4	8292-30SP	8292-302
36	3/4	8292-36SP	8292-362
* BPPCG = Black Polyester Powder Coated over Hot Dipped Galvanized (SEE PAGE 4 FOR DETAILED INFORMATION) Black Stainless Steel 2 inch #12 Wood Screws Included - SOLD IN PAIRS ** Galvanized hinges supplied with 2 inch #12 screws			
Optional Extra Long Stainless Steel Wood Screws			
3" long #12 Black (quantity of 24)		FP-3XL24-B	
3" long #12 self color (quantity of 24)		FP-3XL24-SS	

WHAT SIZE HINGE TO USE?

THE RULE OF THUMB FOR DETERMINING THE SIZE TO USE IS THE HINGE STRAP SHOULD BE ABOUT ONE QUARTER TO ONE THIRD THE WIDTH OF THE GATE OR DOOR. IF THE GATE OR DOOR IS OVER SIX FEET HIGH THEN A THIRD HINGE SHOULD BE UTILIZED (ONE HINGE FOR EVERY THREE FEET OF HEIGHT).

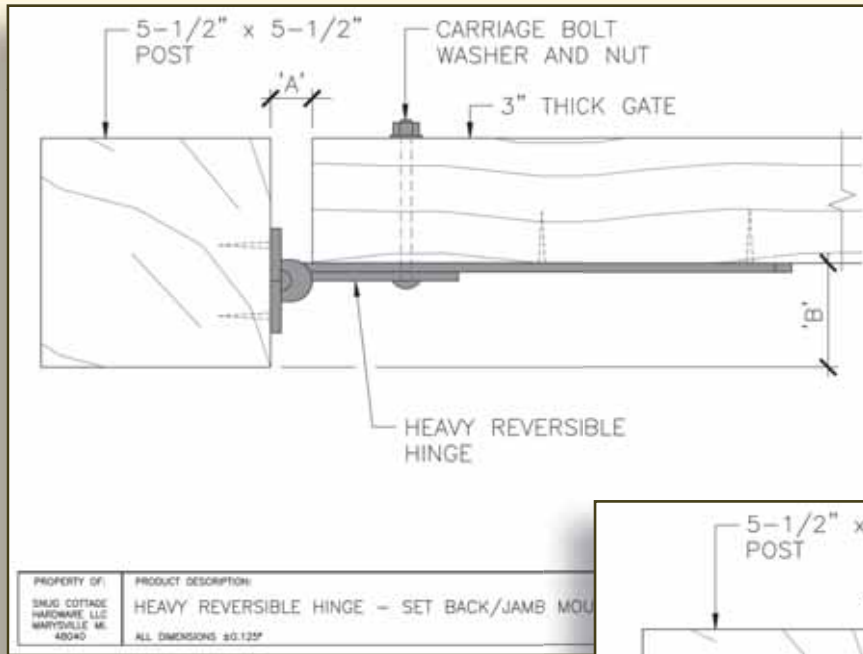
HINGES REQUIRE THAT A CARRIAGE BOLT (PREFERRED) OR A LAG BOLT BE USED ON EACH HINGE AS SHOWN IN THE PICTURES ON THIS PAGE. THESE ARE NOT INCLUDED WITH THE HINGE PAIRS BECAUSE THE LENGTH OF BOLT REQUIRED WILL VARY WITH THE INSTALLATION.

HINGE SIZES 7-16" REQUIRE 3/8" DIAMETER BOLTS AND 18-36" REQUIRE 1/2" DIAMETER BOLTS. YOU WILL NEED BOLTS 1" LONGER THAN THE OVERALL THICKNESS OF YOUR GATE OR DOOR.

SEE PAGE 49 FOR COLOR MATCHED BOLT SELECTIONS.

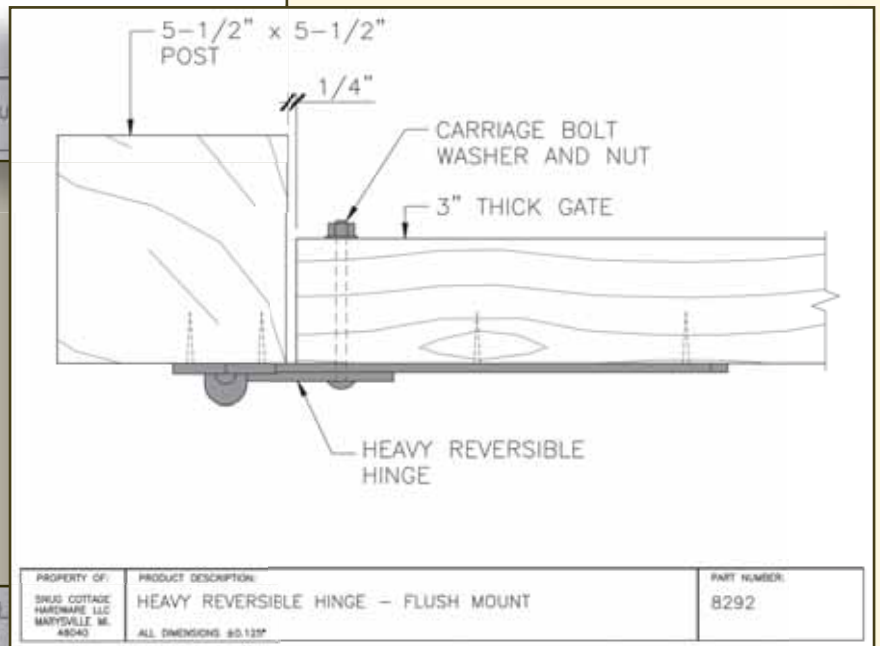


8292 FLUSH MOUNT OR JAMB MOUNT TIPS

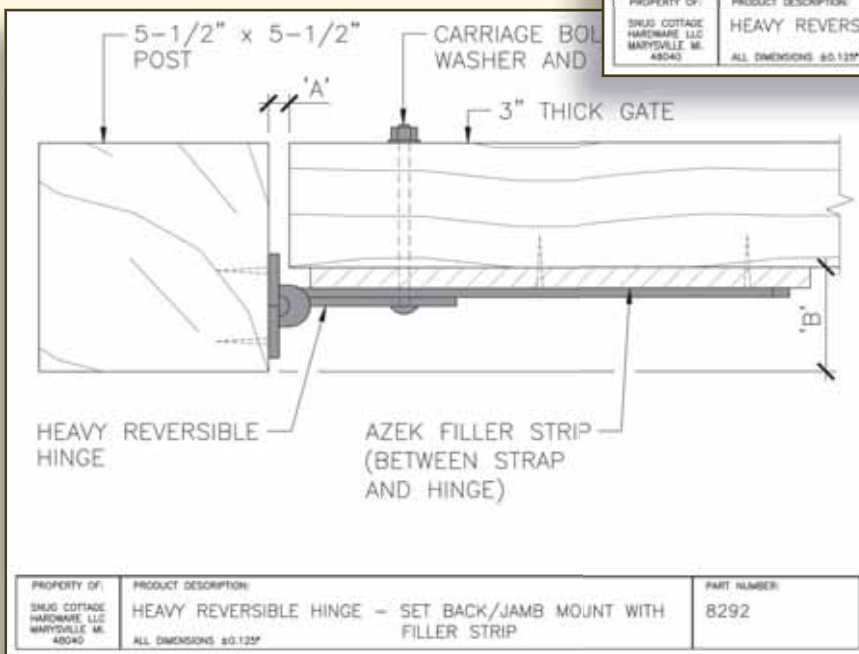


JAMB MOUNT
DIRECTLY ON GATE
SEE TABLE BELOW FOR SET BACK AND SPACE BETWEEN GATE AND POST

Hinge Length (inches)	Distance "A" (minimum)	Distance "B" (minimum)
7" to 16"	1"	1 5/8"
18" to 24"	1 1/8"	1 7/8"
30" to 36"	1 1/4"	2"
48"	1 1/4"	2"



FLUSH MOUNT
DIRECTLY ON GATE AND POST
MOST COMMON METHOD OF INSTALLATION
1/4" SPACE BETWEEN GATE AND POST
RECOMMENDED



JAMB MOUNT
USE AZEK FILLER 1/2" THICK BETWEEN GATE AND HINGE
SEE TABLE BELOW FOR SET BACK AND SPACE BETWEEN GATE AND POST

Hinge Length (inches)	Distance "A" (minimum)	Distance "B" (minimum)
7" to 16"	3/8"	2 1/8"
18" to 24"	3/8"	2 3/8"
30" to 36"	3/8"	2 1/2"
48"	1/2"	2 3/4"

ABOVE DIAGRAMS AND GATE PLANS AVAILABLE ON OUR WEB SITE

12 & 16" STAINLESS OLD FASHIONED HINGE



Stainless Steel

OUR TOP OF THE LINE HINGE IS MADE FROM 4 MM (APPROX. 3/16") THICK 304 STAINLESS STEEL. CUPS ARE INVESTMENT CAST 304 STAINLESS STEEL TO FIT THE 1/2" DIAMETER PIN ON THE STRAP. IDEAL FOR USE IN EVEN THE MOST ABUSIVE OF CLIMATIC CONDITIONS, INCLUDING OCEAN SALTY AIR.

Product Code	Length	Color
8292-12SS	12	Black
8292-16SS	16	Black
Sold in Pairs with screws (Carriage Bolts not included)		

12" CURVED OLD FASHIONED HINGE

SAME DESIGN AS OUR OLD FASHIONED HINGES (8292) BUT WITH CURVED STRAP. BLACK POWDER COAT OVER HOT DIPPED GALVANIZED MILD STEEL. CAN BE USED WITH STRAIGHT 7", 12", 14" OR 16" HINGE ON THE BOTTOM (SOLD SEPARATELY - SEE PAGE 6). GIVES YOU THE OPTION OF MOUNTING WITH CURVE DOWN FOR BOW DOWN GATES OR MOUNTED WITH CURVE UP FOR BOW UP GATES.



LEFT HAND HINGE



RIGHT HAND HINGE

Snug Cottage Hardware
 888-271-5827
 12" Curved Hinge (Left Hand)
 For right hand part flip horizontally and print.

Download and print a 1:1 PDF template of this product. Plan ahead to ensure a great fit. Visit snugcottagehardware.com



Product Code	Description
8292-12LP	12" Curved BPPCG* Hinge (left hand)
8292-12L2	12" Curved Galvanized Hinge (left hand)
8292-12RP	12" Curved BPPCG* Hinge (right hand)
8292-12R2	12" Curved Galvanized Hinge (right hand)

* BPPCG = Black Polyester Powder Coat over Galvanized. (SEE PAGE 4 FOR DETAILED INFORMATION)
Sold Individually

Please Note: Left hand hinge (8292-12LP and 8292-12L2) have the pin on the left side and curves down. It can also be used on the right side with the curve up. Right hand hinge would be used in opposite position. Please specify left or right when ordering. PDF profile available on our web site.

CRANKED BANDS

- AVAILABLE IN 12", 18", 24", AND 36" LENGTHS
- VERY ROBUST
- TRADITIONAL STYLE
- CAN BE USED MOUNTED FLUSH WITH FRONT OF POST OR IDEAL WHEN THE GATE NEEDS TO BE SET BACK FROM THE FRONT OF THE POST AND STILL HAVE A TIGHT FIT (AS LITTLE AS 1/8") BETWEEN THE GATE AND THE POST
- BLACK POLYESTER POWDER COAT FINISH OVER HOT DIPPED GALVANIZED STEEL (BPPCG)
- IF INSTALLED WITH BOTH PINS UP THEN THE GATE CAN BE REMOVED EASILY. INSTALLING ONE PIN DOWN PREVENTS REMOVAL OF THE GATE.

SOLD IN PAIRS

Length of Band	Pin Diameter	Product Code	
Inches	Inches	Black (BPPCG*)	Hot Dipped Galvanized**
12	1/2	8295-12SP	8295-122
18	5/8	8295-18SP	8295-182
24	5/8	8295-24SP	8295-242
36	3/4	8295-36SP	8295-362

* BPPCG = Black Polyester Powder Coated over Hot Dipped Galvanized (SEE PAGE 4 FOR DETAILED INFORMATION)
 Black Stainless Steel 2 inch #12 Wood Screws Included - SOLD IN PAIRS
 ** Galvanized hinges supplied with 2 inch #12 screws

Optional Extra Long Stainless Steel Wood Screws

3" long #12 Black (quantity of 24)	FP-3XL24-B
3" long #12 self color (quantity of 24)	FP-3XL24-SS

PLEASE NOTE: THIS STYLE OF HINGE HAS A LOOSE FIT ON THE PIN. THIS SLACKNESS WILL NOT BE EVIDENT WHEN BOTH HINGES ARE MOUNTED.

HINGES REQUIRE THAT A CARRIAGE BOLT (PREFERRED) OR A LAG BOLT BE USED ON EACH HINGE AS SHOWN IN THE PICTURES ON THIS PAGE. THESE ARE NOT INCLUDED WITH THE HINGE PAIRS BECAUSE THE LENGTH OF BOLT REQUIRED WILL VARY WITH THE INSTALLATION.

HINGE SIZES 7-16" REQUIRE 3/8" DIAMETER BOLTS AND 18-36" REQUIRE 1/2" DIAMETER BOLTS. YOU WILL NEED BOLTS 1" LONGER THAN THE OVERALL THICKNESS OF YOUR GATE OR DOOR. SEE PAGE 49 FOR COLOR MATCHED BOLT SELECTIONS.



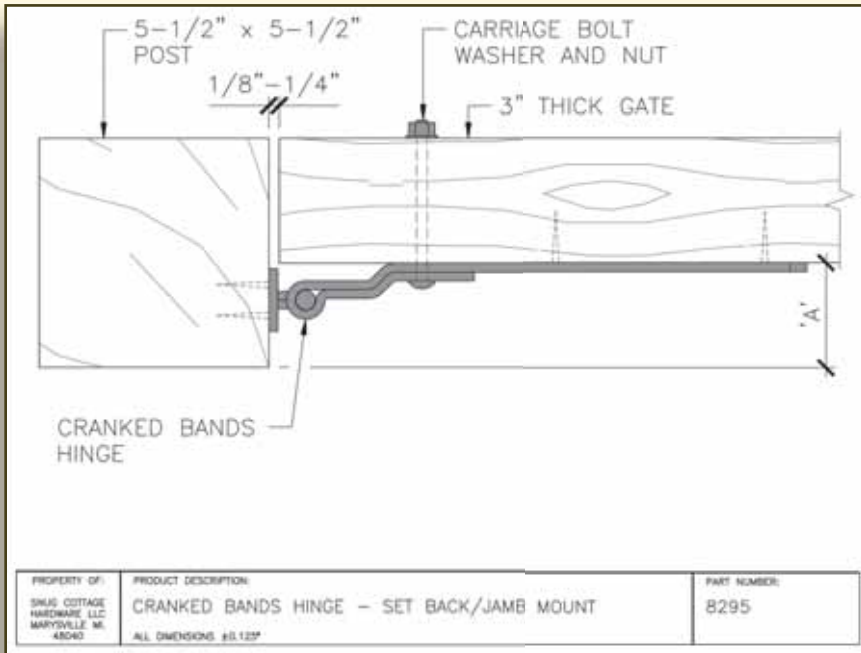
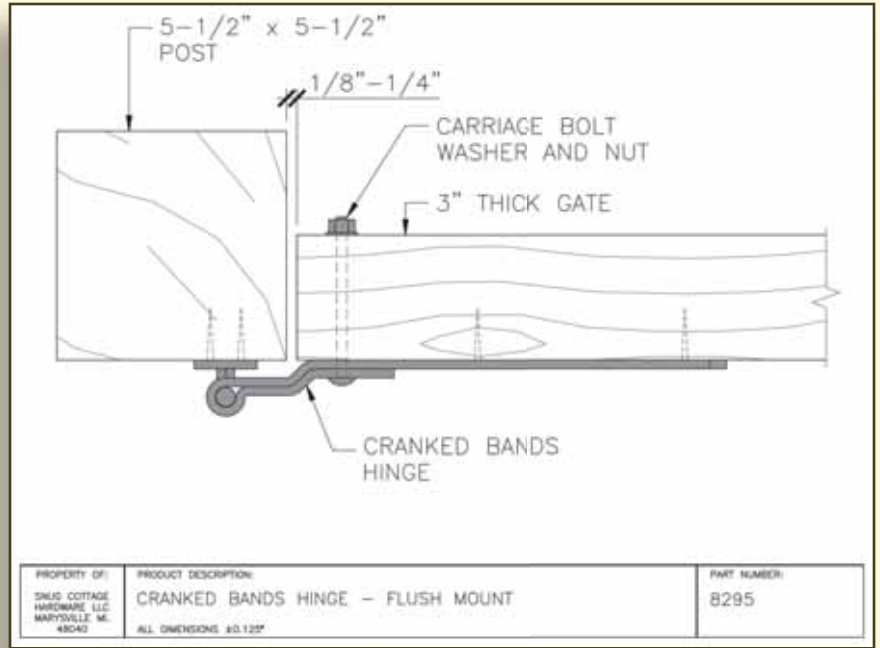
Powder Coated and
 Packaged in the
 USA using Global
 Components



WITH PINS (8295)

FLUSH MOUNT

FRONT OF GATE FLUSH WITH FRONT OF POST
 MOST COMMON METHOD OF INSTALLATION
 1/8" TO 1/4" SPACE BETWEEN GATE AND POST IS RECOMMENDED



JAMB MOUNT / SET BACK

PINTEL MOUNTED ON SIDE OF POST
 SEE TABLE BELOW FOR MINIMUM SET BACK AND SPACE BETWEEN GATE AND POST FOR EACH SIZE OF HINGE.

Hinge Length (inches)	Distance "A" (minimum)
12"	1 3/4"
18"	2 1/8"
24"	2 1/4"
36"	2 3/8"

ABOVE DIAGRAMS AND GATE PLANS AVAILABLE ON OUR WEB SITE



CURVED CRANKED BANDS WITH PINS

VERY ROBUST TRADITIONAL STYLE CURVED CRANKED BAND HINGE WITH PIN ON PLATE. THE PIN PLATE IS 1.5" WIDE X 5 3/8" HIGH. FROM THE CENTER OF THE PIN TO THE END OF THE BOTTOM STRAP IS 7". FROM THE CENTER OF THE PIN TO THE END OF THE TOP STRAP IS 11". TEMPLATES CAN BE DOWNLOADED AS PDFS FROM OUR WEB SITE.



A
Left Down



C
Right Down

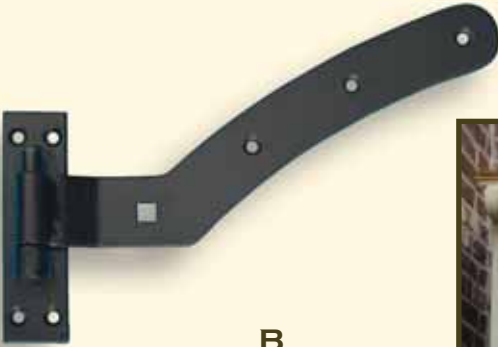
CAN BE FLUSH MOUNTED OR JAMB MOUNTED.
AVAILABLE IN BLACK POLYESTER POWDER COAT OVER HOT DIPPED GALVANIZED (BPPCG) OR HOT DIPPED GALVANIZED.



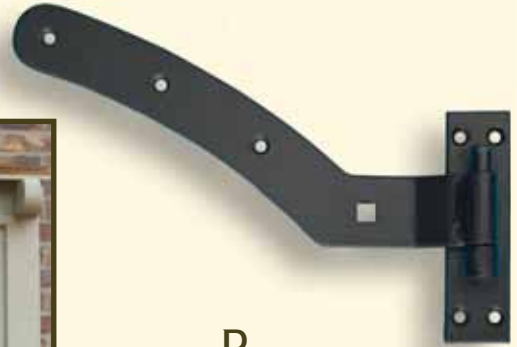
	Product Code	Description
A	8295-12LDP	Left Mount Curved DOWN
B	8295-12LUP	Left Mount Curved UP
Sold in Sets (Top and Bottom Hinge)		

	Product Code	Description
C	8295-12RDP	Right Mount Curved DOWN
D	8295-12RUP	Right Mount Curved UP
Sold in Sets (Top and Bottom Hinge)		

When ordering Galvanized finish replace the letter "P" in product codes with the number "2"



B
Left Up



D
Right Up



WHAT IS BPPCG?
OUR BLACK POLYESTER POWDER COAT IS OVER HOT DIPPED GALVANIZED. IT IS NOT OVER BARE METAL OR A FAR INFERIOR ELECTRO-PLATE FINISH.
(SEE PAGE 4)

COLOR MATCHED CARRIAGE BOLTS AVAILABLE SEE PAGE 49



“DUMMY” OR “FAUX” HINGE FRONTS



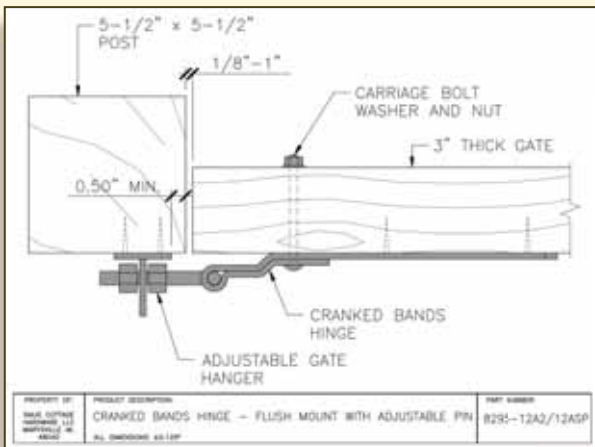
Length of Band (Inches)	Product Code	
	Galvanized	Black Powder Coated
12	8293-122	8293-12SP
18	8293-182	8293-18SP
24	8293-242	8293-24SP
Fasteners Included		
Sold in Pairs		

“DUMMY” HINGE FRONTS ESTHETICALLY MATCH THE BANDS OF OUR OLD FASHIONED HEAVY DUTY (8292) AND CRANKED BANDS (8295). THESE STRAPS ARE MADE OF 3/16” THICK MILD STEEL. THE STEEL IS HOT DIPPED GALVANIZED COATED TO DETER RUSTING PRIOR TO AN APPLICATION OF A BLACK POWDER COAT. SOLD IN PAIRS.

NOW WITH HOLE SPACING TO ACCEPT CARRIAGE BOLTS IF USED WITH 8292 OR 8295 HINGES. SEE PAGE 49 FOR CARRIAGE BOLTS

ADJUSTABLE CRANKED BAND HINGES

- AVAILABLE IN 12” LENGTH ONLY
- EASY LATERAL ADJUSTMENT IN CASE THE POST OR GATE MOVES (WORKS WITH 1/8” TO 1” GAP BETWEEN GATE AND POST)
- USED MOUNTED FLUSH WITH FRONT OF POST
- BLACK POLYESTER POWDER COAT FINISH OVER HOT DIPPED GALVANIZED STEEL (BPPCG)
- IF INSTALLED WITH BOTH PINS UP THEN THE GATE CAN BE REMOVED EASILY. INSTALLING ONE PIN DOWN PREVENTS REMOVAL OF THE GATE.



COLOR MATCHED CARRIAGE BOLTS AVAILABLE SEE PAGE 49

Product Code	Size	Finish
8295-12A2	12”	Hot Dipped Galvanized
8295-12ASP	12”	Black Polyester Powder Coated over HDG
Sold in Pairs with 2” #12 Stainless Screws		

STAINLESS STEEL SELF CLOSING HINGES

“T” HINGES WITH WRAP AROUND STRAP

10” WIDE (8” LONG X 3.5” WIDE STRAP ON GATE WITH 1.5” WRAP AROUND AT EDGE OF GATE) BY 7 1/2” HIGH, RESIDENTIAL SELF CLOSING (TENSION ADJUSTABLE) 304 STAINLESS STEEL HINGES. INTENDED FOR GATES UP TO 48” WIDE BY 72” HIGH. AVAILABLE WITH BLACK POLYESTER POWDER COAT FINISH. STAINLESS STEEL WOOD SCREWS (2” X #12) INCLUDED. SPRING MAY BE LEFT WITH NO TENSION IF SELF CLOSING IS NOT REQUIRED. HEAVY GATES MAY REQUIRE THE ADDITION OF A GATE SPRING.



Stainless Steel

Product Code	Description
7100-BPSS	Black Adjustable Wood Hinge
Sold in Pairs	

WRAP AROUND STRAP HINGE

THESE 304 STAINLESS STEEL HINGES ARE SELF CLOSING (TENSION ADJUSTABLE) AND INTENDED FOR RESIDENTIAL GATES UP TO 48” WIDE BY 72” HIGH. THE WRAP AROUND POST MOUNT IS 3 1/4” WIDE BY 3 1/2” HIGH. THE STRAP IS 8” LONG BY 3 1/2” HIGH WITH A 1 1/2” WRAP AROUND. AVAILABLE IN BLACK POLYESTER POWDER COAT FINISH. STAINLESS STEEL WOOD SCREWS (2” #12) INCLUDED. CAN ALSO BE USED ON VINYL SEE PAGE 64.



Stainless Steel

SPRING MAY BE LEFT WITH NO TENSION IF SELF CLOSING IS NOT REQUIRED. HEAVY GATES MAY REQUIRE THE ADDITION OF A GATE SPRING.

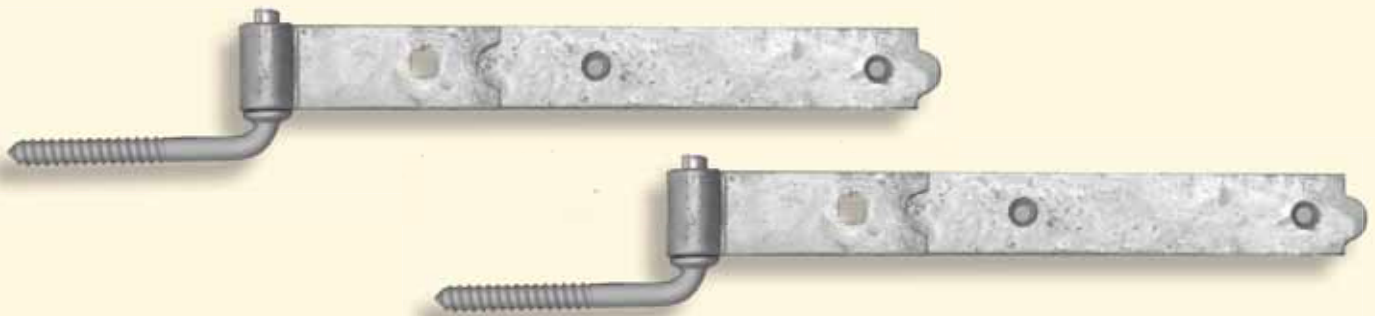
Product Code	Description
7400-BWSS	Black Strap Adjustable for wood and PVC
Sold in Pairs	

12" STRAPS WITH PINS TO SCREW



12" HEAVY DUTY STRAPS WITH PIN (1/2" x 4"). AVAILABLE IN HOT DIPPED GALVANIZED OR BLACK POLYESTER POWDER COAT OVER HOT DIPPED GALVANIZED (BPPCG) FINISHES. SOLD IN PAIRS.

Product Code	Length	Color
8294-122	12"	Hot Dipped Galvanized
8294-12SP	12"	Black Powder Coat over Hot Dipped Galvanized
Sold in Pairs with screws (Carriage Bolts not included) See Page 49 for Carriage bolts		



STAINLESS STEEL THREADED HOOKS & EYES (4" x 1/2")



ALSO AVAILABLE IN
BLACK POWDER COAT FINISH

Product Code	Description
8310-4BSS	4" x 1/2" Black Stainless Hook & Eye (pair)
8310-4SC	4" x 1/2" Stainless Hook & Eye (pair) Bare Metal

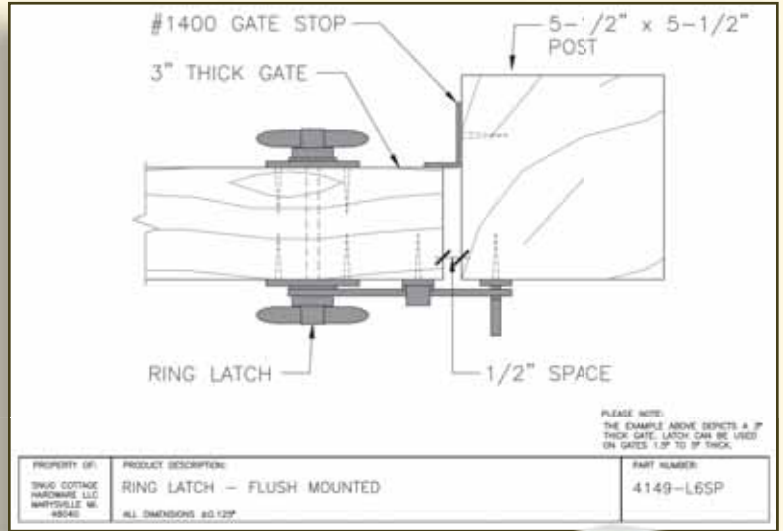
BLACK POWDER COATED OVER STAINLESS STEEL OR NATURAL SATIN STAINLESS STEEL HOOKS AND EYES. SOLD BY THE PAIR (2 HOOKS AND 2 EYES).



TWISTED RING GATE LATCH - FLUSH MOUNT



- ATTRACTIVE TWISTED RING LATCH WITH STAINLESS STEEL BAR, RETAINER AND CATCH
- FOR GATES UP TO 5" THICK (WITH STANDARD KEYSTOCK PROVIDED)
- BLACK POLYESTER POWDER COAT FINISH
- OPERATES FROM BOTH SIDES
- SUPPLIED WITH BLACK STAINLESS STEEL FASTENERS
- EASY TO INSTALL (REQUIRES SINGLE 3/4 INCH ROUND HOLE)
- CAN BE COMBINED WITH STAINLESS STEEL PADLOCK EYES IF LOCKING IS REQUIRED (SEE PAGE 18)



Product Code	Description
4149-L6SP	Black Twisted Ring Gate Latch
4149-LESP	Black Twisted Ring Gate Latch with Padlock Eyes
4149-LDSP	Black Twisted Ring Gate Latch with Padlock Eyes and Gate Stop - Deluxe Version
4149-K12	12" Keystock for gates over 5" thick

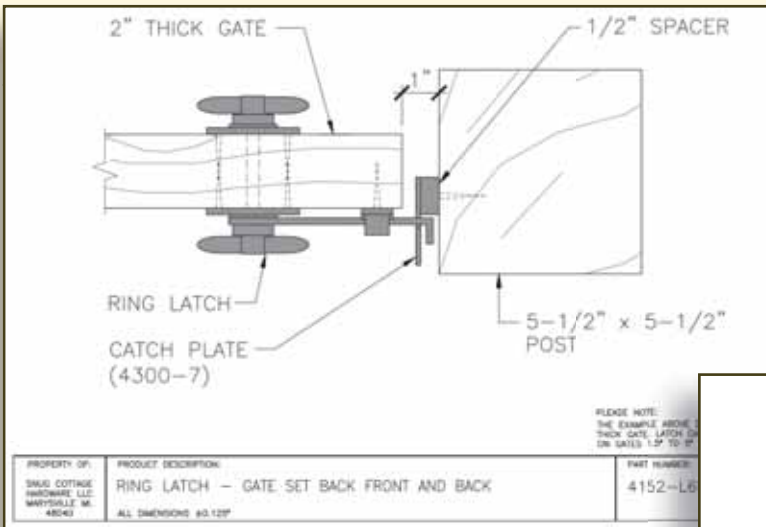
(SEE VERSION FOR PVC INSTALLATIONS ON PAGE 61)



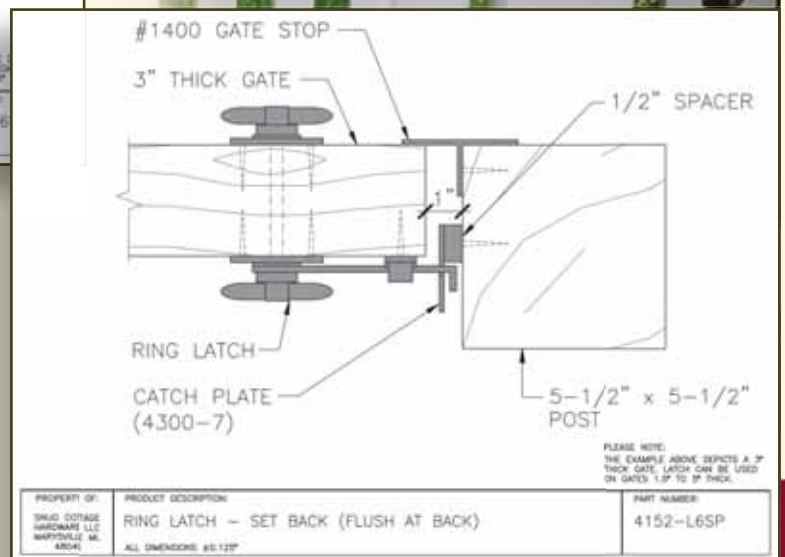
TWISTED RING GATE LATCH SET BACK MOUNT



OUR SET BACK RING LATCH HAS ALL THE ATTRIBUTES OF OUR REGULAR RING LATCH. IT CAN BE USED WHEN THE GATE IS SET BACK FROM THE FRONT FACE OF THE POSTS AND/OR WHEN THE HINGES ARE MOUNTED ON THE OPPOSITE SIDE TO THE CATCH. REQUIRES SPACE OF 1" BETWEEN THE GATE AND THE POST.



THE DRAWING ABOVE SHOWS HARDWARE CONFIGURATION WHERE THE GATE IS CENTERED BETWEEN THE POSTS WHILE THE DRAWING TO THE RIGHT SHOWS A HARDWARE CONFIGURATION WHERE THE GATE IS FLUSH WITH GATE POSTS ON BACK SIDE OF THE GATE.



Product Code	Description
4152-L6SP	Black Twisted Ring Gate Latch
4152-LESP	Black Twisted Ring Gate Latch with Padlock Eyes

TWISTED RING LATCHES & PADLOCK EYES

A. TWISTED RING LATCH IN NATURAL COLOR



- ATTRACTIVE TWISTED RING LATCH
- FOR GATES UP TO 5" THICK
- OPERATES FROM BOTH SIDES
- SUPPLIED WITH STAINLESS STEEL FASTENERS
- EASY TO INSTALL (REQUIRES SINGLE 3/4 INCH ROUND HOLE)
- NO RUSTING - PARTS ARE HOT DIPPED GALVANIZED, ZINC/ALUMINUM ALLOY OR STAINLESS STEEL

Product Code	Description
4149-062	Natural Color Metal Twisted Ring Latch

B. STAINLESS STEEL HANDLE



RUGGED STAINLESS STEEL 10" HANDLE FINISHED WITH A BLACK POLYESTER POWDER COAT. STAINLESS STEEL FASTENERS FOR WOOD AND PVC INCLUDED.

IDEALLY SUITED FOR USE WITH HEAVY DUTY GRAVITY CATCHES (PAGE 22) OR STANDARD LATCHES FOR PVC (SEE PAGE 65).

Stainless Steel

Product Code	Description
4130-BSS	10" Black Handle (304 Stainless)

C. TWISTED RING LATCH FOR SLIDING DOORS



TWISTED RING LATCH FOR SLIDING DOORS. BLACK POWDER COAT OVER STAINLESS STEEL AND ALUMINUM ALLOY

PARTS. WILL NOT RUST. CAN BE USED FOR SINGLE SLIDING DOOR OR PAIRS. SUPPLIED WITH KEYSTOCK AND EXTRA RING SO IT CAN OPERATE FROM BOTH SIDES. STAINLESS STEEL FASTENERS AND PADLOCK EYES INCLUDED. CAN BE USED EITHER LEFT OR RIGHT HANDED.

Product Code	Description
4151-0SP	Black Twisted Ring for Sliding Doors

D. PADLOCK EYES

IF THE INSTALLATION CALLS FOR A GATE THAT HAS TO BE LOCKABLE OUR PADLOCK EYES ARE THE SOLUTION. MADE FROM STAINLESS STEEL WITH BLACK POWDER



COAT FINISH. PACKAGED WITH 1 1/4" LONG STAINLESS STEEL FASTENERS. BLACK VERSION FOR USE ON PVC IS SUPPLIED WITH ONE INCH LONG TEK SCREWS. PADLOCK NOT INCLUDED.



Stainless Steel

Product Code	Description
1300-00SP	Black Powder Coat Over 304 Stainless Steel
1300-316	Natural Satin Finish 316 Stainless Steel
1300-PVCB	Black over 304 Stainless with TEK Screws

RING PULLS



TWISTED RING PULL



CONTEMPORARY RING PULL



FOR DECORATIVE USE WE OFFER BOTH THE TWISTED AND CONTEMPORARY RING PULLS ON THEIR OWN. IDEAL FOR USE ON GATES, BUILDINGS, AND GARAGE DOORS. PACKAGED WITH 1 INCH STAINLESS STEEL FASTENERS.

Product Code	Description
4149-RING	Black Twisted Ring Pull
4149-GALRING	Galvanized Twisted Ring Pull
6149-RING	Black Contemporary Ring Pull
6149-316RING	Natural Satin Contemporary Ring Pull

FAUX HANDLES FOR DECORATIVE USE



SUFFOLK LATCH HANDLE ONLY

- HANDLE BACK PLATE MEASURES 2" X 8.5"
- 316 STAINLESS STEEL
- NATURAL SATIN STAINLESS OR BLACK POWDER COAT FINISHES AVAILABLE

Product Code	Description
6159-Handle316	Natural Satin Finish 316 Stainless Steel
6159-Handle	Black Powder Coat over 316 Stainless Steel
Fasteners Included	



HAMPTON LATCH HANDLE ONLY

- ORNATE HANDLE 7" HIGH
- ZINC/ALUMINUM ALLOY
- BLACK POWDER COAT FINISH

Product Code	Description
4300-Handle	Black Powder Coated
Fasteners Included	

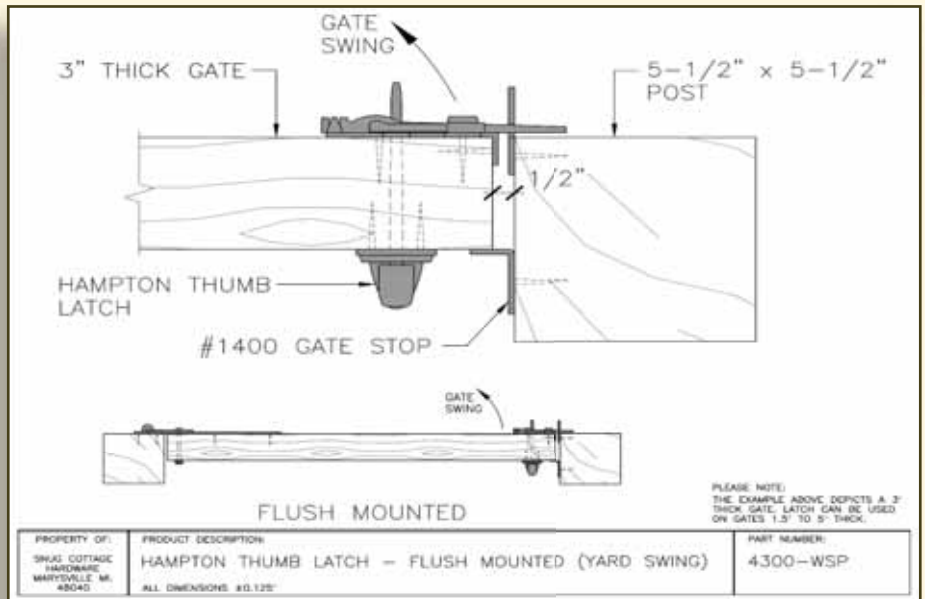
HAMPTON THUMB LATCH

BAR FLUSH MOUNTED (HANDLE ON OPPOSITE SIDE TO HINGES)

OUR HAMPTON THUMB LATCH IS FASHIONED ON AN OLD PENNSYLVANIA DESIGN THAT DATES BACK TO THE LATE 1800'S.



- WILL NOT RUST (STAINLESS STEEL & ZINC/ALUMINUM COMPONENTS)
- SHORT THUMB BAR FOR GATES UP TO 3" THICK AND LONG THUMB BAR FOR GATES 3.25" TO 5" THICK INCLUDED
- EASY TO INSTALL (REQUIRES SINGLE 3/4 INCH ROUND HOLE)
- FITS EITHER RIGHT OR LEFT HAND
- BLACK POLYESTER POWDER COAT FINISH
- SUPPLIED WITH BLACK STAINLESS STEEL FASTENERS
- ORNATE FLIP OVER MECHANICAL LOCKING MECHANISM
- UP TO 1" GAP BETWEEN GATE AND POST
- 5.5" CAST STAINLESS STEEL BAR
- 7" HIGH ORNATE HANDLE
- CAN BE COMBINED WITH STAINLESS STEEL PADLOCK EYES IF LOCKING IS REQUIRED (SEE PAGE 18)



(SEE VERSION FOR PVC INSTALLATIONS ON PAGE 60)

Product Code	Description
4300-WSP	Hampton Thumb Latch
4300-WSEP	Hampton Thumb Latch with Padlock Eyes



CAN BE ORDERED WITH OPTIONAL STAINLESS STEEL PADLOCK EYES (SEE PAGE 18 FOR DETAILS)

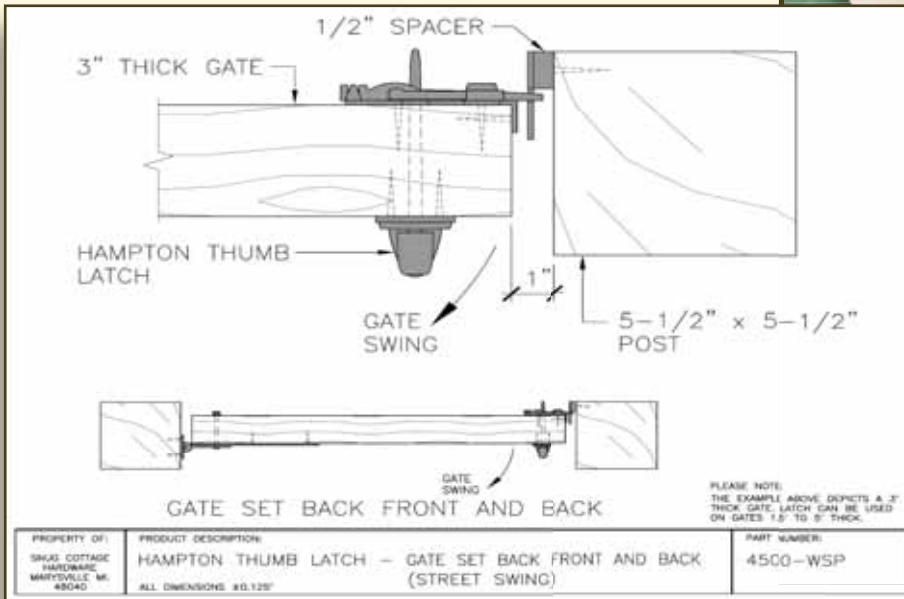


HAMPTON THUMB LATCH

SET BACK MOUNT

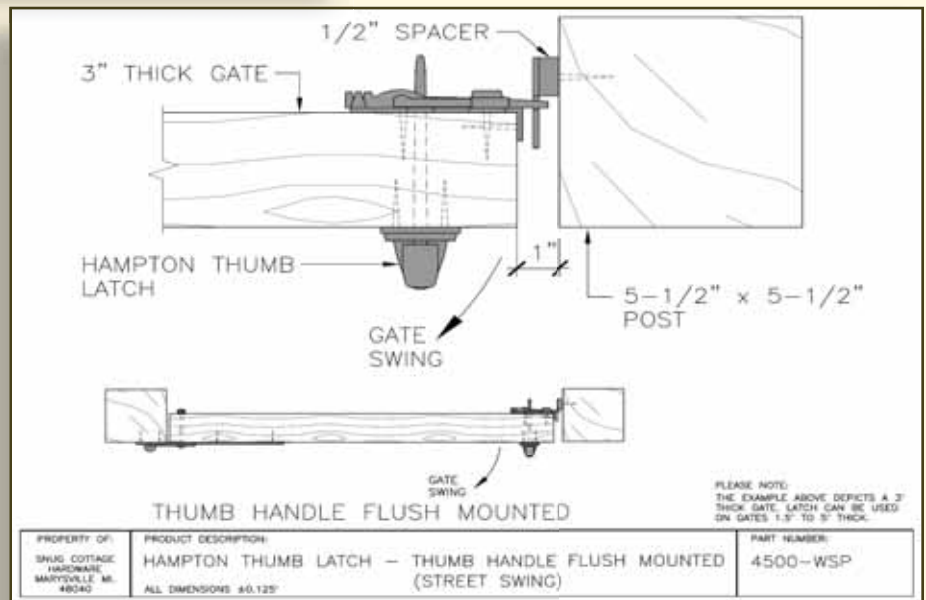
(HANDLE ON SAME SIDE AS HINGES)

OUR SET BACK HAMPTON THUMB LATCH HAS ALL THE ATTRIBUTES OF OUR REGULAR HAMPTON THUMB LATCH. IT CAN BE USED WHEN THE GATE IS SET BACK FROM THE FRONT FACE OF THE POSTS AND/OR WHEN THE HINGES ARE MOUNTED ON THE SAME SIDE AS THE HANDLE. REQUIRES SPACE OF 1" BETWEEN THE GATE AND THE POST. NOT SUPPLIED WITH ORNATE FLIP OVER LOCKING MECHANISM.



THE DRAWING ABOVE SHOWS HARDWARE CONFIGURATION WHERE THE GATE IS CENTERED BETWEEN THE POSTS WHILE THE DRAWING TO THE RIGHT SHOWS HARDWARE CONFIGURATION WHERE THE GATE IS FLUSH WITH GATE POSTS ON FRONT SIDE OF THE GATE.

SEE OUR WEB SITE FOR MORE INSTALLATION IDEAS, HARDWARE SPECIFICATIONS, AND FREE GATE PLANS.



Product Code	Description
4500-WSP	Hampton Thumb Latch - Set Back
4500-WSEP	Hampton Thumb Latch with Padlock Eyes

HEAVY DUTY FLOATING GRAVITY CATCH



WE FOUND THE HEAVIEST GRAVITY CATCH WE COULD AND HAD IT MANUFACTURED IN 5.5 MM (ALMOST 1/4") THICK STAINLESS STEEL. 8" LONG BAR (1/2" DIAMETER). HEAVY PLASTIC COATED STAINLESS PULL CORD AND FASTENERS INCLUDED.

Product Code	Description
4120-HFSS	Black Floating Bar Heavy Duty Gravity Catch (304 Stainless)
4120-HF316	Satin 316 Stainless Floating Bar Heavy Duty Gravity Catch

HEAVY DUTY FIXED GRAVITY CATCH



HEAVY DUTY FIXED 7" LONG BAR (1/2" DIAMETER). HEAVY PLASTIC COATED STAINLESS PULL CORD.

Product Code	Description
4120-HDSS	Black Heavy Duty Gravity Catch (304 Stainless)
4120-HD316	Satin 316 Stainless Heavy Duty Gravity Catch

BRUTUS TORSION GATE SPRING



NEW FOR 2019

TENSIONING NUT NOW ACCEPTS A STANDARD 1/4" SOCKET WRENCH
LARGER STOP PIN PROVIDED TO MAKE INSTALLATION EASIER.

Stainless Steel

Product Code	Description
4612-HSS	13.5" Black 304 Stainless Gate Spring
4612-HSC	Natural Satin Finish 304 Stainless Gate Spring

OUR NEWLY UPDATED GATE SPRING IS HEAVY DUTY AND MADE OF 304 STAINLESS STEEL. WE HAVE UPDATED THE TENSIONING NUT FOR 2019 SO IT CAN BE TENSIONED WITH EITHER THE SUPPLIED TOOL OR A STANDARD 1/4" SOCKET WRENCH. WE HAVE ALSO INCREASED THE SIZE OF THE STOP PIN TO MAKE INSTALLATION EASIER. THE BRUTUS TORSION GATE SPRING MEASURES 13.5" IN LENGTH OVERALL WITH THE SPRING ITSELF MEASURING 1.125" IN DIAMETER AND 10.5" LONG.

(SEE VERSION FOR PVC INSTALLATIONS ON PAGE 67)



GATE STOP

**IT ONLY MAKES SENSE!!!
YOU WOULDN'T HANG A DOOR WITHOUT A STOP SO WHY A GATE???**



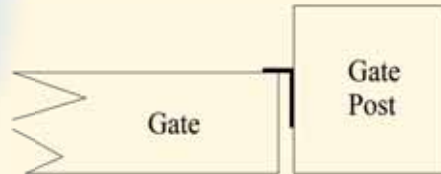
MOUNT OUR STAINLESS STEEL GATE STOP ON THE GATE POST TO PREVENT DAMAGE TO THE GATE AND LATCH THAT CAN RESULT FROM SEVERE WIND GUSTS WHEN THE GATE IS LEFT OPEN. MADE OF 1/8 INCH THICK STAINLESS STEEL WITH A POLYESTER POWDER COAT. 3.75 INCHES HIGH, 1 INCH STOP SURFACE, 1.5 INCH MOUNTING SURFACE. SUPPLIED WITH 1.5 INCH STAINLESS STEEL FASTENERS.

Product Code	Description
1400-BSS	Black Powder Coat Over Stainless Steel
1400-WSS	White Powder Coat Over Stainless Steel
1400-316	Natural Satin Finish 316 Stainless Steel

Stainless Steel
GATE STOP FOR PVC ON PAGE 67.

Stainless Steel

GATE STOP POSITIONED TO TAKE THE FORCE OF THE GATE CLOSING.



CAPE COD LATCH



OUR CAPE COD GATE LATCH IS TWO LATCHES IN ONE. WE SUPPLY IT WITH BOTH A SIMPLE LEG POST CATCH (IDEAL FOR ROUND POSTS) AS WELL AS A HEAVY DUTY LOCKABLE POST CATCH WHEN A MORE SECURE INSTALL IS REQUIRED (STAINLESS STEEL WIRE INCLUDED - GRAVITY CATCH CAN BE PADLOCKED). THE CAPE COD LATCH IS SIMPLE, RUSTIC AND OPERATES EASILY FROM BOTH SIDES OF THE GATE.

Product Code	Description
4900-002	Galvanized Cape Cod Latch

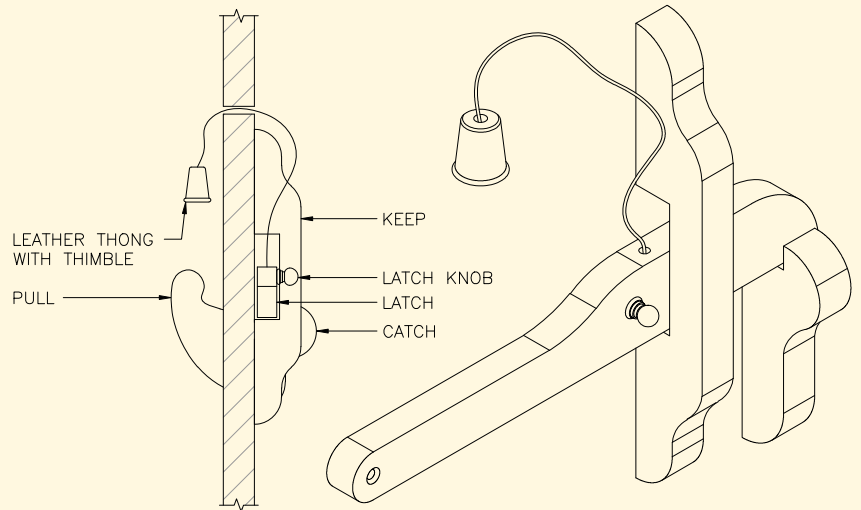


WOODEN GATE & DOOR LATCHES

CAMBRIDGE LATCH

OLD ENGLISH CAMBRIDGE LATCH IS MADE IN CANADA FROM OAK TIMBER. THE CAMBRIDGE LATCH IS MOUNTED ON THE FRONT OF THE DOOR OR GATE. A LEATHER LACE IS ATTACHED TO THE BAR SO THE LATCH CAN BE OPENED FROM THE OTHER SIDE. SUPPLIED WITH OAK PULL FOR OTHER SIDE OF DOOR AND STAINLESS FASTENERS. FOR DOORS AND GATES UP TO 5" THICK.

BAR IS 11 1/4" LONG. HANDLE IS 9 1/2" HIGH.

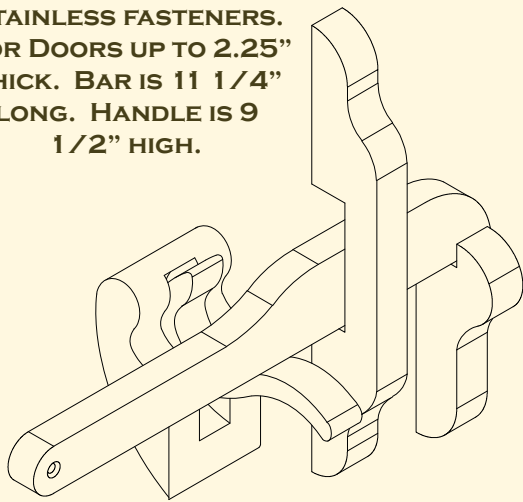


Description	Product Code
Cambridge Wood Latch	4700-110

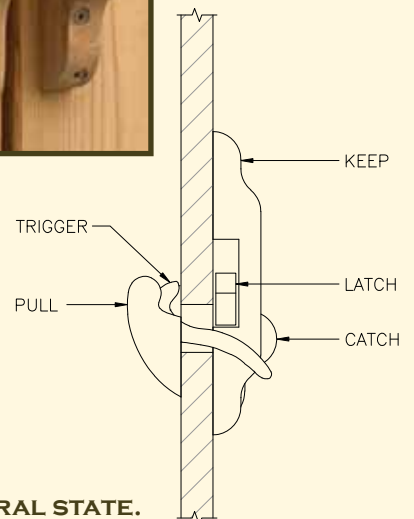
OXFORD LATCH

OLD ENGLISH OXFORD LATCH IS MADE IN CANADA FROM OAK TIMBER. THE OXFORD LATCH IS A THROUGH LATCH. THE BAR AND HANDLE ARE MOUNTED ON THE FRONT OF THE DOOR OR GATE. WHILE THE PULL HANDLE WITH LEVER IS ATTACHED TO THE OTHER SIDE OF THE DOOR SO THE LATCH CAN BE OPENED FROM THE OTHER SIDE. THE LEVER OPERATES THRU A 1.5" DIAMETER HOLE IN THE DOOR. SUPPLIED WITH STAINLESS FASTENERS.

FOR DOORS UP TO 2.25" THICK. BAR IS 11 1/4" LONG. HANDLE IS 9 1/2" HIGH.



MADE IN CANADA



Description	Product Code
Oxford Wood Latch	4701-110

SUPPLIED IN NATURAL STATE. APPROPRIATE SURFACE COATING IS RECOMMENDED.

CAST IRON CABIN HOOKS



Length	Product Code	
	Galvanized	BPPCG *
4 inch	4270-042	4270-04SP
6 inch	4270-062	4270-06SP
* BPPCG = Black Polyester Powder Coat Over Hot Dipped Galvanized		

12" AND 24" GATE OR DOOR HOLD BACK HOOK

NEED TO KEEP A GATE OPEN OR CLOSED?

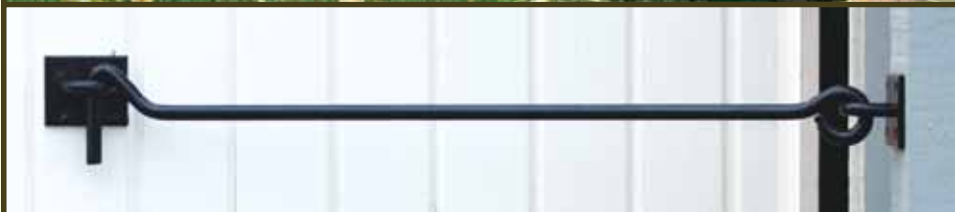


HEAVY DUTY 12" & 24" CABIN HOOK

MANUFACTURED FROM 1/2" DIAMETER STOCK. AVAILABLE HOT DIPPED GALVANIZED OR BLACK POLYESTER POWDER COATED OVER HOT DIPPED GALVANIZED. SUPPLIED WITH 2" X #12 STAINLESS STEEL WOOD SCREWS.

PERFECT FOR HOLDING GATES AND DOORS OPEN.

Product Code	Description
4270-122	Galvanized 12" Cabin Hook
4270-12SP	Black (BPPCG) 12" Cabin Hook
4270-242	Galvanized 24" Cabin Hook
4270-24SP	Black (BPPCG) 24" Cabin Hook
(SEE PAGE 4 FOR DETAILED INFORMATION about BPPCG finish)	



CANNONBALL GATE CLOSER



SNUG COTTAGE HARDWARE IS PLEASED TO OFFER THIS UNIQUE AND VERY ATTRACTIVE GATE CLOSER FROM AMERICA'S COLONIAL PAST, THE CANNONBALL CLOSER IS AN EFFECTIVE MEANS OF ENSURING YOUR GATE ALWAYS CLOSSES. IT REQUIRES THAT AN ADDITIONAL POST BE INSTALLED BEHIND THE HINGE POST AS PICTURED ABOVE. THE CHAIN IS ATTACHED BETWEEN THIS EXTRA POST AND THE GATE WITH A SIX POUND SOLID CAST IRON BALL SUSPENDED ON THE CHAIN. GRAVITY DOES THE REST!



BOTH THE BALL AND CHAIN ARE HOT DIPPED GALVANIZED PRIOR TO THE APPLICATION OF A HIGH QUALITY BLACK POLYESTER POWDER COAT FINISH THAT WILL ENDURE FOR YEARS AND YEARS. WE RECOMMEND THE USE OF A GATE STOP WHEN USING THE CANNONBALL TO HELP ABSORB THE FORCE OF THE GATE CLOSING.

WE PACK THE OPTIONAL ACCESSORIES SEPARATELY SO YOU CAN GET EXACTLY WHAT YOU NEED FOR YOUR SPECIFIC INSTALLATION OR NEW FOR 2019 WE HAVE CREATED A "DELUXE" MODEL WHICH WILL INCLUDE THE CANNONBALL CLOSER, CHAIN, UPGRADED MOUNTING HARDWARE AND A GATE STOP FOR A COMPLETE AND POLISHED INSTALLATION FROM ONE STOCK NUMBER.

Product Code	Description
CBP	BPPCG* Ball and Chain
CBP-MK	Mounting Kit for Cannonball Closer
1400-BSS	Black Powder Coated Gate Stop (See Page 23)
CBP-Deluxe	BPPCG* Ball and Chain, Mounting Kit and Gate Stop

* BPPCG = Black Polyester Powder Coat over Hot Dipped Galvanized
(SEE PAGE 4 FOR DETAILED INFORMATION)

STAINLESS STEEL CANE BOLTS/DROP RODS

TRADITIONAL STYLE

OUR TRADITIONAL STYLED CANE BOLTS ARE MADE WITH 5/8" DIAMETER ROD AND AVAILABLE IN 18", 24", 36" AND 48" LENGTHS. THEY FEATURE A MULTI PIECE DESIGN SO YOU CAN EASILY ADJUST AND SET THE AMOUNT OF DROP YOU REQUIRE AND THEY COME WITH A SEPARATE RETAINER TO HOLD THE BOLT IN THE UP POSITION MAKING IT EASIER TO USE. THEY ALSO ARE SUPPLIED WITH A PADLOCKABLE BRACKET SO YOU CAN LOCK YOUR GATES IF THE SITUATION CALLS FOR IT.

18", 24", 36" AND 48" LENGTHS AVAILABLE BLACK OVER 304 STAINLESS STEEL

18", 24" AND 36" LENGTHS AVAILABLE NATURAL SATIN 316 STAINLESS STEEL

Product Code	Description
4096-18SS	18" Black 304 Stainless Cane Bolt
4096-18316	18" Natural Satin Finish 316 Stainless Cane Bolt
4096-24SS	24" Black 304 Stainless Cane Bolt
4096-24316	24" Natural Satin Finish 316 Stainless Cane Bolt
4096-36SS	36" Black 304 Stainless Cane Bolt
4096-36316	36" Natural Satin Finish 316 Stainless Cane Bolt
4096-48SS	48" Black 304 Stainless Cane Bolt



LOCKED POSITION

SUPPLIED WITH SEPARATE PADLOCKABLE BRACKET WHICH CAN BE INSTALLED IF DESIRED. (PADLOCK IS NOT INCLUDED)



TRADITIONAL GUIDE BRACKET



THE SNUG COTTAGE HARDWARE BAR RETAINER ELIMINATES AWKWARD PROTUBERANCES TO LINE UP AND ALLOWS FOR GREATER RANGE OF MOTION

USE IN UP POSITION TO FIX DOORS IN PLACE



CAN ALSO BE USED TO SECURE THE TOP OF A DOOR. HAVE A TALL DOOR? TRY THE 36" OR 48" CANE BOLT AT THE TOP OF THE DOOR.

The
CONTEMPORARY
Collection
by Snug Cottage Hardware



Cranked Band Hinges



- available in 7", 12", 16" and 24" lengths
- very robust
- contemporary style
- can be used mounted flush with front of post or ideal when the gate needs to be set back from the front of the post and still have a tight fit (as little as 1/8") between the gate and the post
- natural satin 316 stainless steel or black polyester powder coated over 316 stainless steel
- if installed with both pins up then the gate can be removed easily
- installing one pin down prevents removal of the gate.



Length of Band	Width of Band	Pin Diameter	Plate Size	Product Code	
Inches	Inches	Inches	Inches	Natural Satin Finish	Black Polyester Powder Coat
7	1.6	1/2	1.6 W x 5.25 H	6295-07316	6295-07SP
12	1.6	1/2	1.6 W x 5.25 H	6295-12316	6295-12SP
16	1.6	1/2	1.6 W x 5.25 H	6295-16316	6295-16SP
24	2.0	5/8	2.0 W x 6.5 H	6295-24316	6295-24SP

Stainless Steel 2 inch #12 Wood Screws Included - One carriage bolt 1" longer than the thickness of the gate/door is required for each hinge (not included, See Page 49) - Sold in Pairs

Butt Hinges



Manufactured from 316 Marine grade stainless steel

Our butt hinges will withstand the harshest environments. Each wing is 4.5" high x 1 5/8" wide x 1/8" thick (4" w x 4.5" h when opened and laid flat).

Suited for doors and gates over 1.75" thick.

Sold in pairs.

Product Code	Size	Finish
6100-S454	4" wide x 4.5" high	Natural Satin Finish 316 Stainless Steel
6100-B454	4" wide x 4.5" high	Black Powder Coat over 316 Stainless Steel
Sold in Pairs with 2" #12 Stainless Screws		



Cabin Hook



Our new 6" Contemporary Styled Cabin Hook is perfect as a simple gate latch, gate holdback or outdoor shower privacy lock. Made of 316 marine grade stainless steel, it will last a lifetime.



Stainless Steel

Product Code	Description
6270-06316	Bright Shiny 316 Stainless Steel
6270-06SP	Satin Black 316 Stainless Steel
#8 x 1.5" Stainless Fasteners Included	

Cleat Handle

10" 316 Marine grade Stainless Steel Cleat Handle.

Ideal for Gate and Door Pulls. Perfect for the outdoor shower when combined with a Snug Cottage Hardware cabin hook on the inside of the shower.

Product Code	Description
6200-SSS	Bright Shiny 316 Stainless Steel
6200-BSS	Satin Black 316 Stainless Steel
#12 x 1.5" Stainless Fasteners Included	

Stainless Steel



Cane Bolts

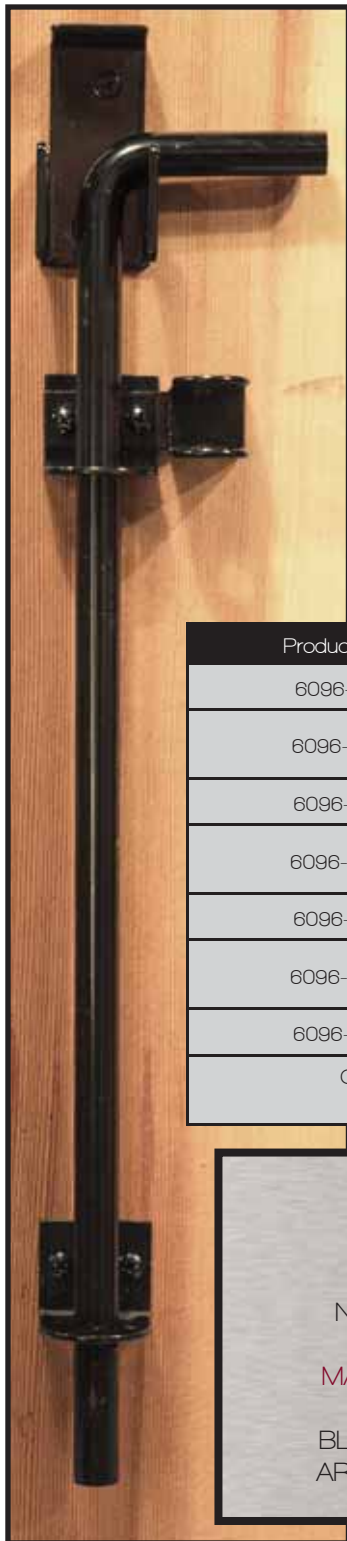
Stainless Steel

Our contemporary styled cane bolts are made with 5/8" diameter rod and available in 18", 24", 36" and 48" lengths. They feature a multi piece design so you can easily adjust and set the amount of drop you require and they come with a separate retainer to hold the bolt in the up position making it easier to use. They also are supplied with a padlockable bracket so you can lock your gates if the situation calls for it.

18", 24", 36" and 48" lengths available Black over 304 Stainless Steel
 18", 24" and 36" lengths available Natural Satin 316 Stainless Steel



Contemporary Guide Bracket



Product Code	Description
6096-18SS	18" Black 304 Stainless Cane Bolt
6096-18316	18" Natural Satin Finish 316 Stainless Cane Bolt
6096-24SS	24" Black 304 Stainless Cane Bolt
6096-24316	24" Natural Satin Finish 316 Stainless Cane Bolt
6096-36SS	36" Black 304 Stainless Cane Bolt
6096-36316	36" Natural Satin Finish 316 Stainless Cane Bolt
6096-48SS	48" Black 304 Stainless Cane Bolt
Contemporary Cane Bolts are packed with both contemporary and traditional bar guides.	

Stainless Steel
 Wood Hardware Products

NATURAL SATIN (SELF COLOR) FINISH
 HARDWARE IS MADE FROM
 MARINE GRADE 316 STAINLESSS STEEL

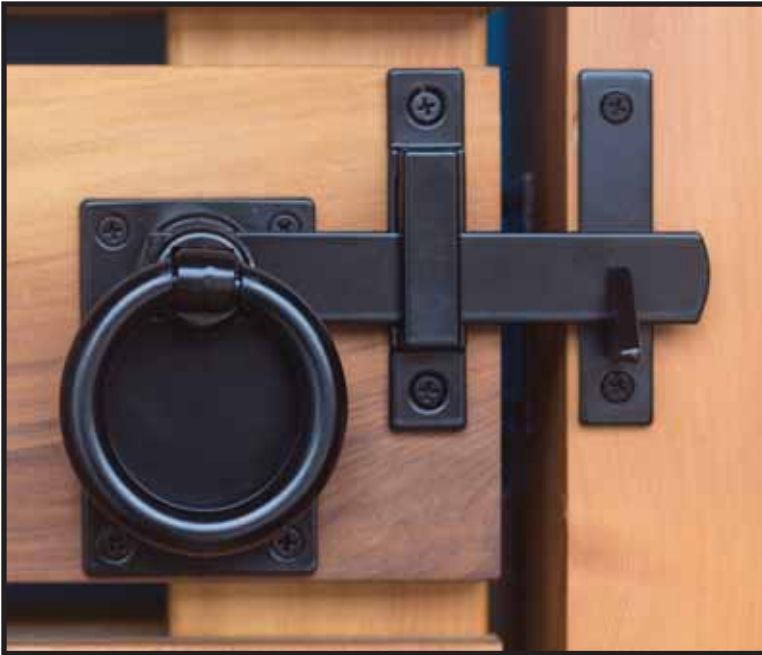
BLACK POWDER COATED CANE BOLTS
 ARE MADE FROM 304 STAINLESS STEEL



Locked Position

Supplied with separate Padlockable bracket which can be installed if desired.
 (Padlock is not included).

Ring Latch

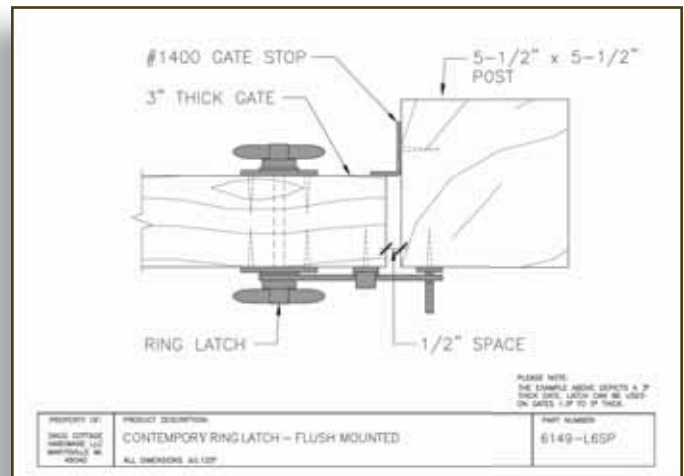


Contemporary Styled Ring Gate and Door Latch

Our Contemporary Styled Ring Latch was designed to be attractive as well as easy to use. Its simple lines and hefty weight will make it a focal point on almost any project. The back plate measures 2.5" wide and 4" tall. The ring measures 3" across and is 1/2" in diameter. It can be installed either left or right handed by easily flipping it over and it requires only a single hole be drilled through the gate or door. We supply it with color matched fasteners and the keystock required to make it operational from both sides of the gate or door.



- Suitable for gates up to 5" thick (with standard key-stock provided)
Install left or right easily
- Stainless Steel and Aluminum Alloy components
- Durable satin black polyester powder coat finish or natural brushed stainless steel finish.
- Back plate measures 2.5" x 4" with a 3" diameter ring
- Supplied with color matched stainless steel fasteners
- Easy to install (requires a single 3/4" hole through the gate)
- Can be combined with padlock eyes if locking is required (see page 18)
- Operational from both sides of the gate or door



Description	Product Code	
	Natural Satin	Black Powder Coat
Contemporary Styled Ring Latch	NA	6149-L6SP
Contemporary Styled Ring Latch with Padlock Eyes	NA	6149-LESP
Contemporary Styled Ring Latch with Padlock Eyes and Gate Stop - Deluxe Version	6149-LD316	6149-LDSP
Contemporary Ring Pull	6149-316RING	6149-RING
12" Keystock for gates over 5" thick	4149-K12	



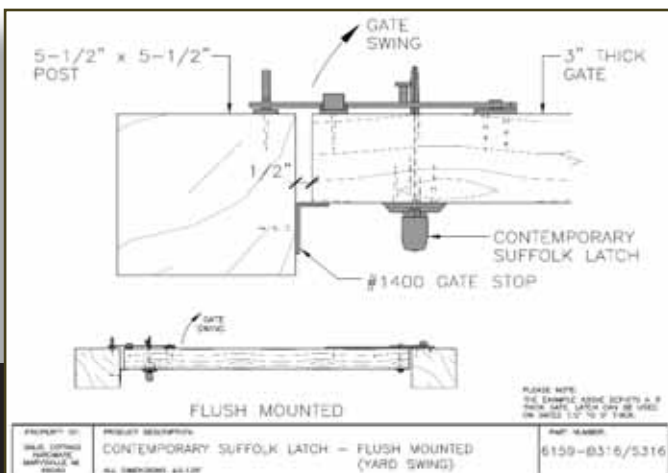
Suffolk Latch (yard swing)

Our Contemporary styled Suffolk latch was improved for 2019 to include a thicker, higher quality latch bar as well as a new retainer and striker to improve appearance and make installation easier. We have also added a separate Faux Handle option for decorative use.

All components are made from
Marine Grade 316 Stainless Steel

The Contemporary Suffolk Latch is available in a Natural Satin Finish or our Black Polyester Powder Coat over 316 Stainless Steel. We supply it with everything you need for an easy installation including a gate stop

- Suitable for gates or doors up to 4" thick
- Handle back plate measures 2" x 8.5"
- Latching bar measures 7/8" x 8"
- Natural Satin Stainless or Black Powder Coat finishes available
- Fasteners and Gate Stop included
- New for 2019 – Faux Handles now available



Product Code	Description
316 Stainless Steel Suffolk Latch	
6159-S316	Natural Satin Finish 316 Stainless Steel
6159-B316	Black Powder Coat over 316 Stainless Steel
316 Stainless Steel Suffolk Faux Handle	
6159-Handle316	Natural Satin Finish 316 Stainless Steel
6159-Handle	Black Powder Coat over 316 Stainless Steel

7/8" DIAMETER X 36" LOCKABLE "MAMMOTH" CANE BOLT

WITH SEPARATE LOCKING RETAINER

VERY HEAVY DUTY 36 INCH DROP BOLT. SEPARATE LOCKING RETAINER ALLOWS AMOUNT OF DROP TO BE ADJUSTED AS REQUIRED. MAXIMUM DROP OF 16 INCHES. CAN BE LOCKED WITH A PADLOCK (NOT INCLUDED).



36" X 7/8" CANE BOLT

Product Code	Description
5000-362	Hot Dipped Galvanized with Galvanized Lags
5000-36SP	BPPCG with Black Lags
Keep for 36" Drop Bolt	
5000-012	Hot Dipped Galvanized with Galvanized Lags
5000-01SP	BPPCG with Black Lags
* BPPCG = Black Powder Coated Over Galvanized (SEE PAGE 4 FOR DETAILED INFORMATION)	
Cane Bolts packaged with 2" x 5/16" lag bolts	

LATCH KEEPERS FOR LOCKABLE CANE BOLTS



USE KEEP FOR MOUNTING CANE BOLT IN HORIZONTAL POSITION AS A GATE OR DOOR LATCH. ALSO IDEAL FOR LATCHING TWO GATES TOGETHER. SOLD SEPARATELY.

DROP BOLT - LOCKABLE HOT DIPPED GALVANIZED



5/8" DIAMETER X 12", 15", OR 24" LOCKABLE CANE BOLT

INCLUDES SEPARATE LOCKING RETAINER WHICH CAN BE MOUNTED LEFT OR RIGHT

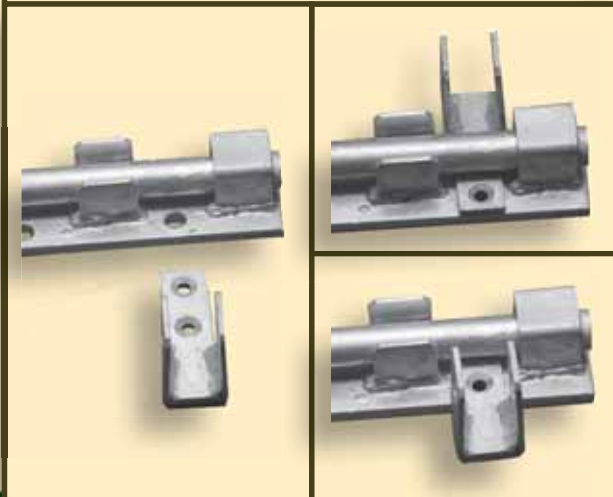
- AVAILABLE IN 12" (4" DROP), 15" (6" DROP), AND 24" (10" DROP)
- LOCKABLE (PADLOCK NOT INCLUDED)
- CAN BE MOUNTED FOR LEFT OR RIGHT INSTALLATIONS
- HOT DIPPED GALVANIZED OR BLACK POLYESTER POWDER COATED OVER HOT DIPPED GALVANIZED
- HEAVY 5/8" ROD



Length	Product Code	
Inches	BPPCG*	Galvanized
12	5000-12SP	5000-122
15	5000-15SP	5000-152
24	5000-24SP	5000-242
Cane Bolts packaged with 2" x 5/16" lag bolts		
Optional Accessories		
Keep with Lag Bolts	5000-00SP	5000-002
Escutcheon Plate with Screws	5000-02SP	5000-022
* BPPCG = Black Powder Coated Over Galvanized (SEE PAGE 4 FOR DETAILED INFORMATION)		

SEPARATE LOCKING RETAINER

THE LOCKING RETAINER IS NOW A SEPARATE PART AND CAN BE MOUNTED ON EITHER SIDE OF THE BACK PLATE TO ALLOW FOR LEFT OR RIGHT HAND APPLICATIONS. ATTACHES WITH MOUNTING SCREW.



OPTIONAL ESCUTCHEON PLATE

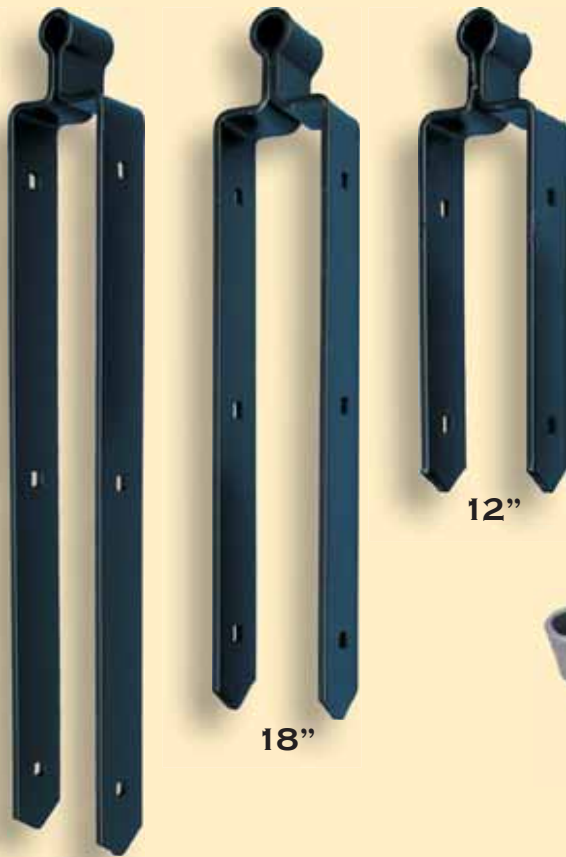


LOCKABLE WITH PADLOCK

CAN BE LOCKED WITH A PADLOCK (NOT INCLUDED) WHEN IN THE FULLY EXTENDED POSITION.

HEAVY DUTY GATE HARDWARE FOR SOLID

DOUBLE STRAPS (3" GAP) CENTRAL EYE



AVAILABLE IN
HOT DIPPED
GALVANIZED
FINISH
OR
BLACK POLYESTER
POWDER
COAT OVER HOT
DIPPED GALVANIZED
(BPPCG)



24"

18"

12"

5"

- EXTREMELY HEAVY DUTY
- FABRICATED FROM 2" WIDE BY 1/4" THICK STEEL
- 3" BETWEEN STRAPS
- 3/4" EYE TO FIT OUR 3/4" PINS
- HOT DIPPED GALVANIZED FINISH
- OPTIONAL BLACK POLYESTER POWDER COAT FINISH OVER HOT DIPPED GALVANIZED (BPPCG)
- SOLD INDIVIDUALLY OR IN SETS
- **COLOR MATCHED BOLTS, WASHERS, AND FASTENERS INCLUDED**

DOUBLE STRAPS NOT ONLY HANG THE GATE, THEY STRENGTHEN AND SUPPORT THE GATE

Length		Product Code	
Inches	Galvanized	BPPCG*	For Gates Up To
5	8312-652	8312-65SP	**
12	8312-422	8312-42SP	4 feet wide
18	8312-482	8312-48SP	7 feet wide
24	8312-542	8312-54SP	10 feet wide
* BPPCG = Black Powder Coated Over Galvanized (SEE PAGE 4 FOR DETAILED INFORMATION)			
** 5" strap can be used on bottom with 12", 18", or 24" straps or use adjustable bottom fitting (On page 41)			

PICTURE ABOVE SHOWS DOUBLE STRAP AT TOP AND ADJUSTABLE GATE HANGER AT BOTTOM. ANOTHER OPTION IS USING DOUBLE STRAP HINGES TOP AND BOTTOM. HANGING WITH 8801 PINS. REQUIRES 4.5" TO 5" BETWEEN THE GATE AND POST.

AND RAIL GATES (3/4" EYES & PINS)

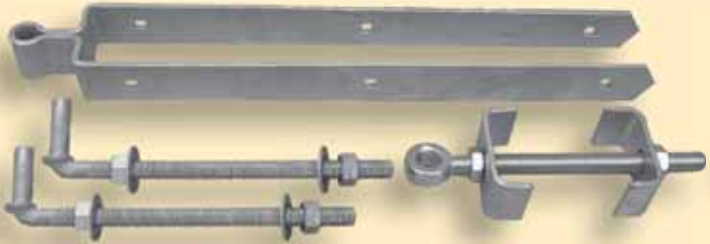
DOUBLE STRAPS (3" GAP)

CENTRAL EYE HARDWARE SETS

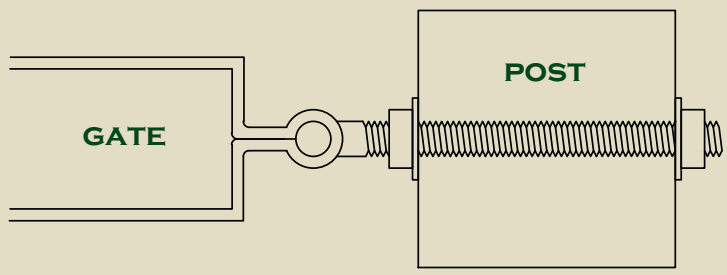
DOUBLE STRAPS AND PINS ARE OUR BEST HARDWARE COMBINATION FOR LARGER FIELD GATES, RAIL GATES, AND ENTRANCE GATES. THEY COMBINE HEAVY DUTY CONSTRUCTION AND STRENGTH WITH EASY ADJUSTMENT. EACH SET INCLUDES ONE 12", 18", OR 24" 8312 CENTRAL EYE TOP STRAP, ADJUSTABLE BOTTOM GATE FITTING AND TWO PINS (EITHER 8801 OR 8317). DOUBLE STRAP HINGES SANDWICH THE WOOD BETWEEN THE STRAPS, VIRTUALLY LOCKING THE CORNER AT 90 DEGREES SQUARE. THIS PREVENTS THE GATE FROM SAGGING. CHECK OUT OUR FREE DOWNLOADABLE GATE PLANS ON OUR WEB SITE.

DOUBLE STRAP SETS (CENTRAL EYE)

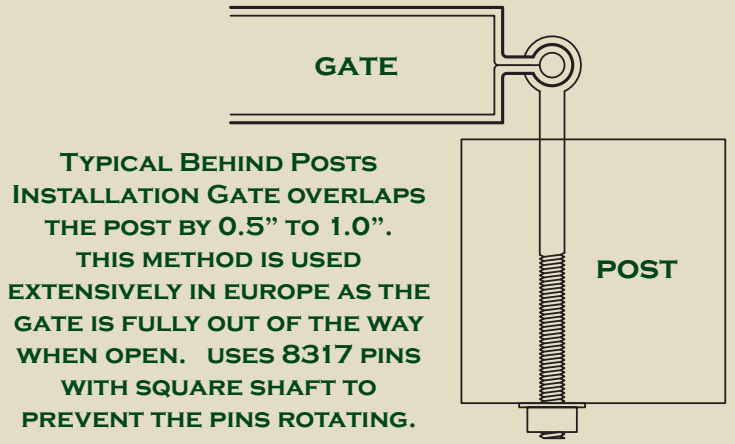
SETS WITH 8800 12" PINS



SETS WITH 8317 13" PINS



TYPICAL BETWEEN POSTS INSTALLATION REQUIRES 4.5" TO 5" BETWEEN POST AND GATE



TYPICAL BEHIND POSTS INSTALLATION GATE OVERLAPS THE POST BY 0.5" TO 1.0". THIS METHOD IS USED EXTENSIVELY IN EUROPE AS THE GATE IS FULLY OUT OF THE WAY WHEN OPEN. USES 8317 PINS WITH SQUARE SHAFT TO PREVENT THE PINS ROTATING.

Inches	For Gates Up To	Galvanized	BPPCG*	Inches	For Gates Up To	Galvanized	BPPCG*
12	4 feet wide	8312-S122	8312-S12P	12	4 feet wide	8312-E122	8312-E12P
18	7 feet wide	8312-S182	8312-S18P	18	7 feet wide	8312-E182	8312-E18P
24	10 feet wide	8312-S242	8312-S24P	24	10 feet wide	8312-E242	8312-E24P

* BPPCG = Black Powder Coated Over Galvanized. (SEE PAGE 4 FOR DETAILED INFORMATION)
Color matched fasteners included.

All sets use the adjustable bottom fitting. If you require double strap top and bottom please order components separately.

HEAVY DUTY GATE HARDWARE FOR SOLID

DOUBLE STRAPS (3" OR 3.5" GAP) REAR E

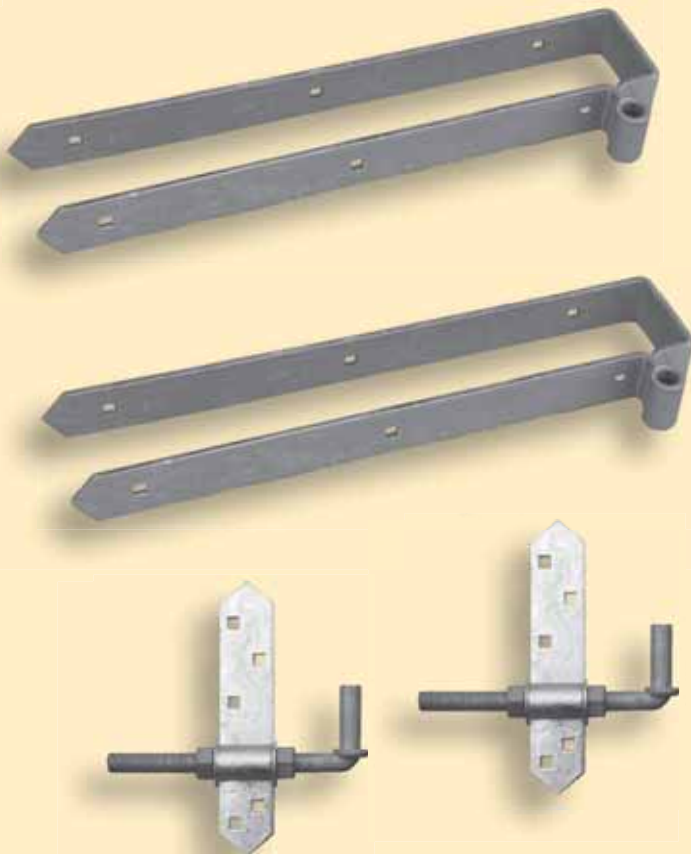
DOUBLE STRAPS AND PINS ARE OUR BEST HARDWARE COMBINATION FOR LARGER FIELD GATES, RAIL GATES, AND ENTRANCE GATES. THEY COMBINE HEAVY DUTY CONSTRUCTION AND STRENGTH WITH EASY ADJUSTMENT. EACH SET INCLUDES TWO OF (12", 18", OR 24") REAR EYE DOUBLE STRAPS, AND TWO MOUNTING PLATES WITH 8" ADJUSTABLE PINS. DOUBLE STRAP HINGES SANDWICH THE WOOD BETWEEN THE STRAPS, VIRTUALLY LOCKING THE CORNER AT 90 DEGREES SQUARE.

THIS PREVENTS THE GATE FROM SAGGING.

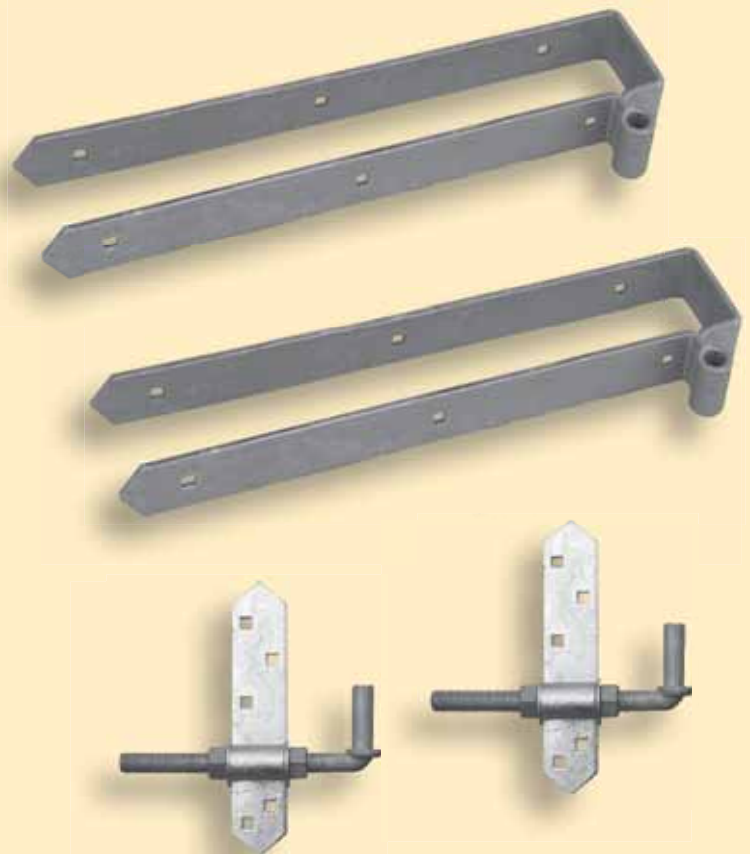
CHECK OUT THE FREE DOWNLOADABLE GATE PLANS ON OUR WEB SITE

DOUBLE STRAP SETS (REAR EYE)

SETS WITH 8324 STRAPS (3.0" BETWEEN STRAPS)



SETS WITH 8325 STRAPS (3.5" BETWEEN STRAPS)



Inches	For Gates Up To	Galvanized	BPPCG*	Inches	For Gates Up To	Galvanized	BPPCG*
12	4 feet wide	8324-S122	8324-S12P	12	4 feet wide	8325-S122	8325-S12P
18	7 feet wide	8324-S182	8324-S18P	18	7 feet wide	8325-S182	8325-S18P
24	10 feet wide	8324-S242	8324-S24P	24	10 feet wide	8325-S242	8325-S24P

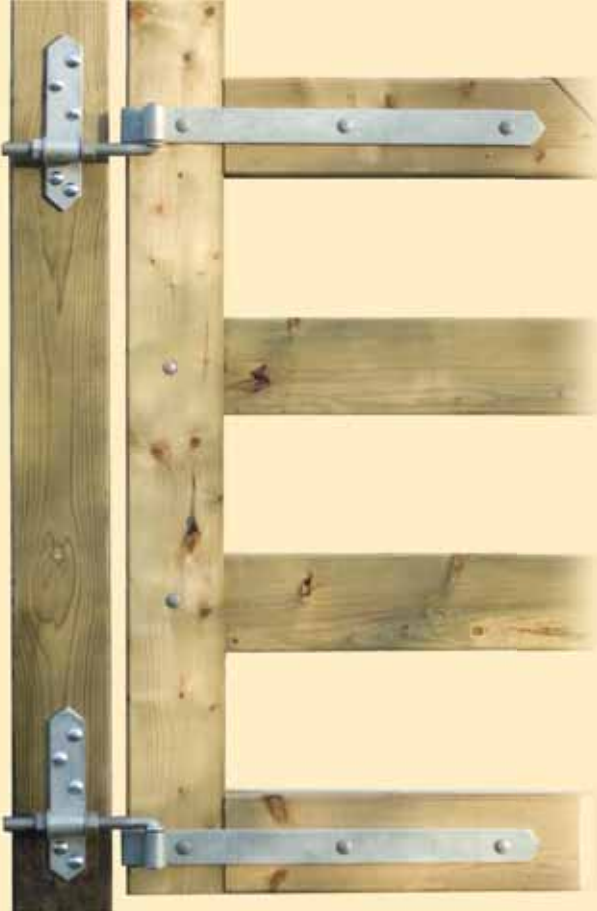
* BPPCG = Black Powder Coated Over Galvanized. (SEE PAGE 4 FOR DETAILED INFORMATION)
Color matched fasteners for strap hinges included.

Carriage bolts for mounting plates are NOT included. Fastener pack for 5.5" posts available on page 43.

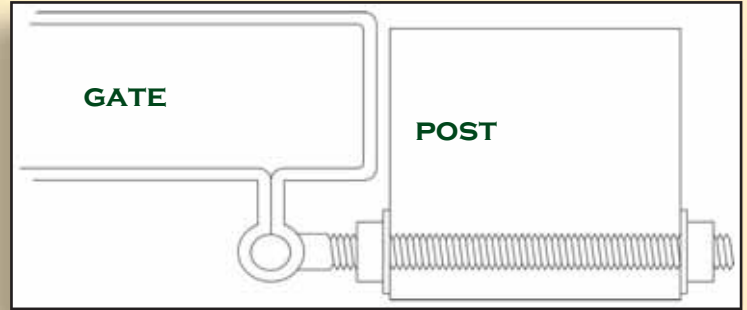
HEAVY DUTY GATE HARDWARE FOR SOLID

DOUBLE STRAPS (3" OR 3.5" GAP) REAR EYE

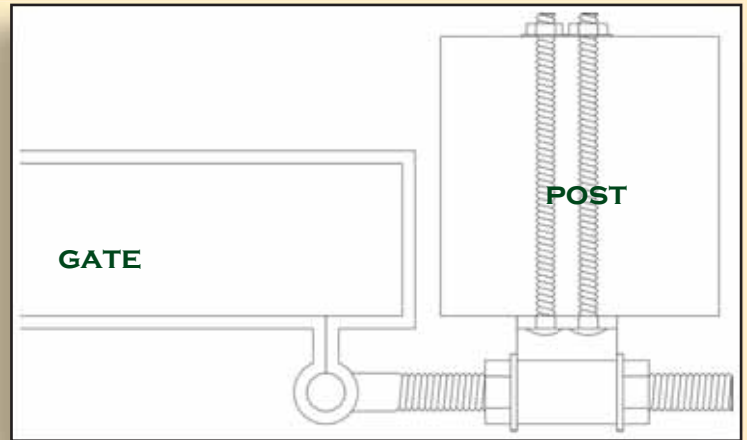
STRONG, FULL LATERAL ADJUSTMENT AND ONLY 1/2" BETWEEN THE GATE AND THE POST. IDEAL FOR DOUBLE DRIVE, RAIL GATES, DUMPSTER ENCLOSURES



DOUBLE STRAP AT TOP AND BOTTOM.
HUNG WITH 8256-342 MOUNTING
PLATES COMPLETE WITH 8"
ADJUSTABLE PINS.
GAP BETWEEN GATE AND POST CAN
BE AS SMALL AS 0.5 INCHES.



TYPICAL INSTALLATION WITH 8801 PINS
GAP BETWEEN POST AND GATE CAN BE AS LITTLE AS 0.5 INCHES



TYPICAL INSTALLATION WITH 8256 MOUNTING PLATE AND PINS
GAP BETWEEN POST AND GATE CAN BE AS LITTLE AS 0.5 INCHES

- EXTREMELY HEAVY DUTY
- FABRICATED FROM 2" WIDE BY 1/4" THICK STEEL
- 3.0" OR 3.5" BETWEEN STRAPS
- 3/4" EYE TO FIT OUR 3/4" PINS
- HOT DIPPED GALVANIZED FINISH
- OPTIONAL BLACK POLYESTER POWDER COAT FINISH OVER HOT DIPPED GALVANIZED (BPPCG)
- SOLD INDIVIDUALLY OR IN SETS (SEE PAGE 38)
- HOT DIPPED GALVANIZED FINISH
- COLOR MATCHED BOLTS INCLUDED

3.0" GAP BETWEEN STRAPS

Length	Product Code		
	Inches	BPPCG*	Galvanized
5	8324-05SP	8324-052	**
12	8324-12SP	8324-122	4 feet wide
18	8324-18SP	8324-182	7 feet wide
24	8324-24SP	8324-242	10 feet wide

* BPPCG = Black Powder Coated Over Galvanized

** 5" strap can be used on bottom with 12", 18", or 24" straps

3.5" GAP BETWEEN STRAPS

Length	Product Code		
	Inches	BPPCG*	Galvanized
5	8325-05SP	8325-052	**
12	8325-12SP	8325-122	4 feet wide
18	8325-18SP	8325-182	7 feet wide
24	8325-24SP	8325-242	10 feet wide

* BPPCG = Black Powder Coated Over Galvanized

** 5" strap can be used on bottom with 12", 18", or 24" straps

AND RAIL GATES (3/4" EYES & PINS)

A.

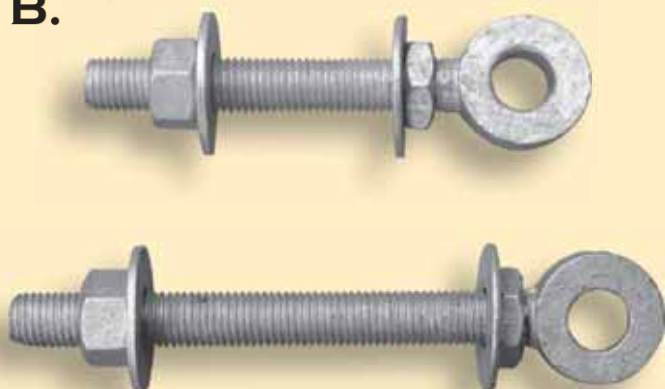


A. ADJUSTABLE BOTTOM FITTING

EASY ADJUSTMENT. UP OR DOWN ADJUSTMENT OF THE LATCH END OF THE GATE IS QUICK AND EASY REQUIRING ONLY A FEW SECONDS AND A WRENCH.

Product Code	Description
8250-002	Hot Dipped Galvanized
8250-00P	Black Powder Coat over HDG

B.



B. ADJUSTABLE GATE EYES

- FOR WOOD OR METAL GATES
- 3/4" THREADED SHAFT WITH 2 NUTS AND 2 WASHERS
- 3/4" EYE FITS OUR 3/4" PINS
- AVAILABLE IN 4", 6", 8", AND 10" LENGTHS (MEASURED FROM THE CENTER OF THE EYE TO END OF THREADED SHAFT).

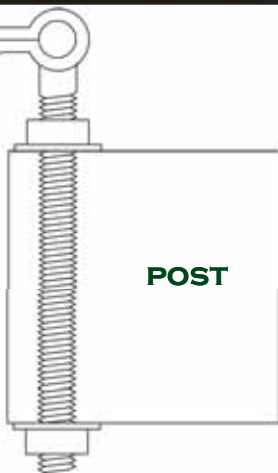
HOT DIPPED GALVANIZED FINISH

Product Code	Description
8251-042	4" long
8251-062	6" long
8251-082	8" long
8251-102	10" long

C.

GATE

POST

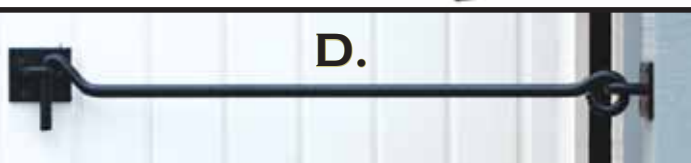


C. STRAIGHT EYE DOUBLE STRAPS

EXTREMELY HEAVY DUTY (1/4" THICK STEEL X 2" WIDE STEEL) DOUBLE STRAPS (3" BETWEEN STRAPS), 3/4" EYE. HOT DIPPED GALVANIZED OR BPPCG.

Length		Product Code		For Gates Up To
Inches	Galvanized	BPPCG*		
5	8322-052	8322-05SP		**
24	8322-242	8322-24SP		10 feet wide
* BPPCG = Black Powder Coated Over Galvanized				
** 5" strap can be used on bottom with 24" straps or on gate less than 4' wide.				

D.



D. GATE HOLD BACK HOOK

OUR 12" & 24" CABIN HOOKS ARE IDEALLY USED TO HOLD GATES AND DOORS OPEN TO PREVENT THEM FROM CLOSING IN THE WIND. MADE FROM 1/2" DIAMETER WIRE. AVAILABLE IN HOT DIPPED GALVANIZED OR BLACK POLYESTER POWDER COAT OVER HOT DIPPED GALVANIZED.

Product Code	Description
4270-122	Galvanized 12" Cabin Hook
4270-12SP	Black (BPPCG) 12" Cabin Hook
4270-242	Galvanized 24" Cabin Hook
4270-24SP	Black (BPPCG) 24" Cabin Hook

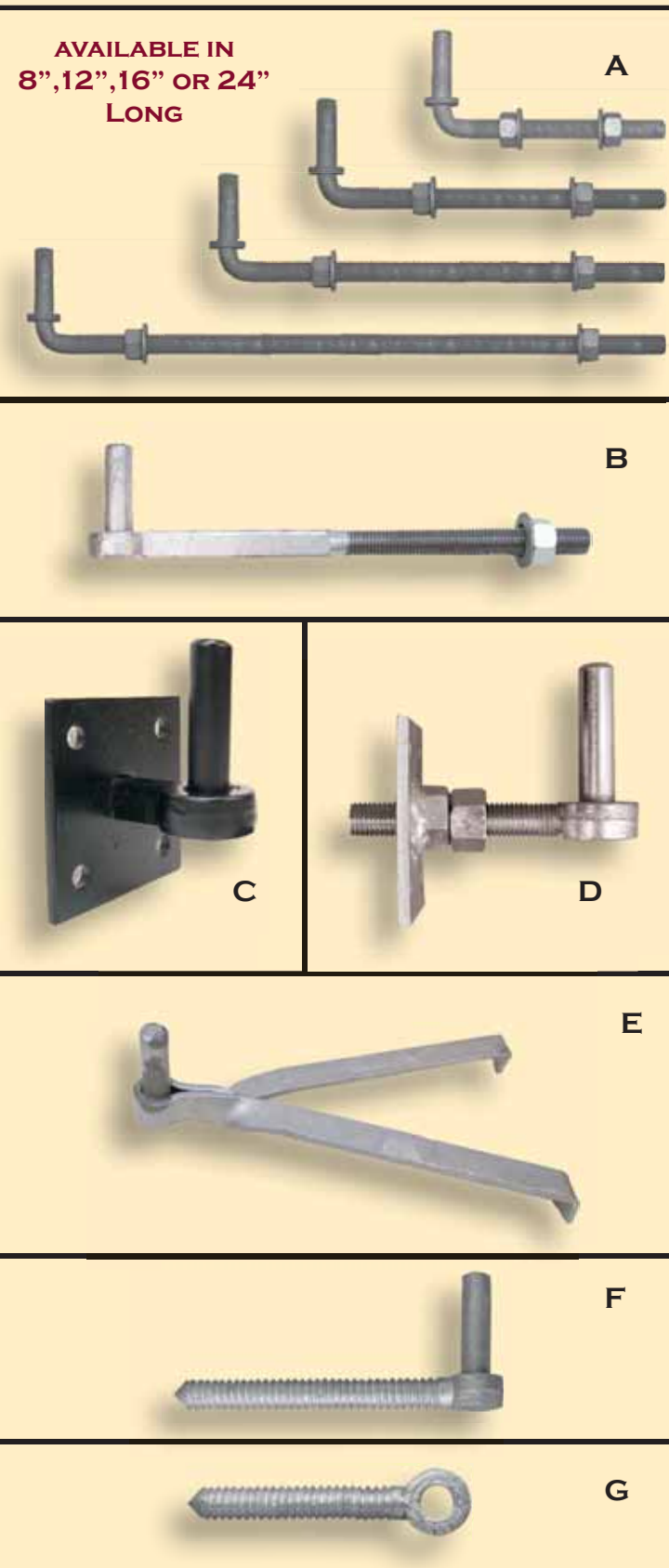
WHAT IS BPPCG?

OUR B L A C K P O L Y E S T E R P O W D E R C O A T I S O V E R H O T D I P P E D G A L V A N I Z E D. IT IS NOT OVER BARE METAL OR A FAR INFERIOR ELECTROPLATE FINISH. (SEE PAGE 4)



HEAVY DUTY GATE HARDWARE FOR SOLID

3/4" DIAMETER PINS AND PINTELS



A. THREADED ADJUSTABLE PIN 8", 12", 16" OR 24" LONG

Length	Product Code	
	Hot Dipped Galvanized	BPPCG*
8"	8801-082	8801-08P
12"	8801-122	8801-12P
16"	8801-162	8801-16P
24"	8801-242	8801-24P

BPPCG = Black Polyester Powder Coat over HDG

B. 13" FIELD GATE PIN (8317)

With square section at pin end to prevent rotation in post. Drill a 3/4" hole right through the post. Pin is driven into post until the thread protrudes from the opposite side. It is then drawn into the desired depth by tightening the nut. Suitable for posts 6 to 9 inches thick.

Product Code	Description
8317-002	Hot Dipped Galvanized

C. GATE HANGER ON 4" SQUARE PLATE (8254)

Product Code	Description
8254-342	Hot Dipped Galvanized
8254-34P	Black Powder Coat over HDG

D. ADJUSTABLE GATE HANGER ON 4" SQUARE PLATE (8255)

Product Code	Description
8255-342	Hot Dipped Galvanized
8255-34P	Black Powder Coat over HDG

Adjustable pin length. Drill a 1" diameter 1.5" deep hole in post behind pin location prior to installing. This allows the pin to be adjusted back into the post.

E. GATE HANGERS FOR MASONRY OR STONE (8257)

Designed to be built into new construction masonry. Arms are 12" long from center of pin. Arms can be bent to conform to stone work.

Product Code	Description
8257-342	Hot Dipped Galvanized

F. PIN TO SCREW (8308)

9" long with 3/4" pin with 7" of 3/4" threaded shaft. This pin does offer an alternative to full bolts but is not as strong or reliable as a pin that is bolted through the entire post and held with a washer and nut.

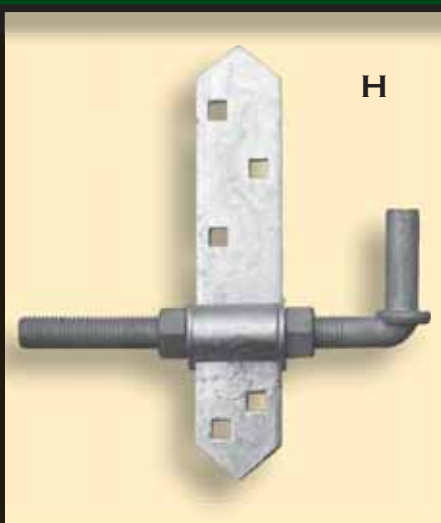
Product Code	Description
8308-072	Hot Dipped Galvanized
8308-07P	BPPCG*

G. EYE TO SCREW (8309)

Threaded 3/4" eye bolt to screw with 4.5" of 3/4" threaded shaft. Works with pin to screw above.

Product Code	Description
8309-052	Hot Dipped Galvanized
8309-05P	BPPCG*

AND RAIL GATES (3/4" EYES & PINS)



H

H. ADJUSTABLE HINGE MOUNT WITH 8" THREADED PIN

MOUNTED ON THE FACE OF THE POST THIS GATE HANGER WILL MAKE FOR EASY LATERAL ADJUSTMENT OF THE GATE.

AVAILABLE IN HOT DIPPED GALVANIZED FINISH OR BLACK POLYESTER POWDER COAT OVER HOT DIPPED GALVANIZED FINISH. WORKS WITH REAR EYE DOUBLE STRAPS AND HEAVY DUTY CRANKED STRAP HINGES BELOW. SOLD INDIVIDUALLY

Product Code	Description
8256-342	Gal. Mounting Plate with 8" Adjustable Pin
8256-34P	Black over Gal. Mounting Plate with 8" Adjustable Pin (BPPCG)
FP-8256-G	Gal. 6.5" carriage bolt, nut, washer (5 pack)
FP-8256-B	Black 6.5" carriage bolt, nut, washer (5 pack)
If fastening with carriage bolts (preferred) bolts will need to be 1.0" longer than thickness of post	
Optional Back Plates (Sold Individually)	
8256-BP022	Galvanized Back Plate
8256-BP02P	Black over Gal. Back Plate

Optional Back Plates



HEAVY DUTY STRAIGHT STRAP HINGES

FLAT STRAP WITH 3/4 INCH EYE



- SOLD IN PAIRS (3/4" PINS SOLD SEPARATELY ON PAGE 42)
- FABRICATED FROM 2.25" WIDE BY 3/16" THICK STEEL
- 3/4" EYE TO FIT OUR 3/4" PINS/PINTELS
- HOT DIPPED GALVANIZED FINISH OR BLACK POLYESTER POWDER COAT FINISH OVER HOT DIPPED GALVANIZED (BPPCG)
- WORKS WELL WITH EITHER 8801 PINS OR 8256 ADJUSTABLE HINGE MOUNT WITH 8" THREADED PIN

Length Inches	Product Code	
	BPPCG*	Galvanized
18	8307-18P	8307-182
24	8307-24P	8307-242
36	8307-36P	8307-362
* BPPCG = Black Powder Coated Over Galvanized		

FASTENERS NOT INCLUDED
SEE PAGE 49

CRANKED STRAP WITH 3/4 INCH EYE



- SOLD IN PAIRS (3/4" PINS SOLD SEPARATELY ON PAGE 42)
 - FABRICATED FROM 2.25" WIDE BY 3/16" THICK STEEL
 - 3/4" EYE TO FIT OUR 3/4" PINS/PINTELS
 - HOT DIPPED GALVANIZED FINISH OR BLACK POLYESTER POWDER COAT FINISH OVER HOT DIPPED GALVANIZED (BPPCG)
 - WORKS WELL WITH EITHER 8801 PINS OR 8256 ADJUSTABLE HINGE MOUNT WITH 8" THREADED PIN
- Optional Back Plates (see page 44)

Length Inches	Product Code			
	Strap Hinges (pair)		Optional Back Plates (pair)	
	BPPCG*	Galvanized	BPPCG*	Galvanized
18	8305-18P	8305-182	8305-BP18P	8305-BP182
24	8305-24P	8305-242	8305-BP24P	8305-BP242
36	8305-36P	8305-362	8305-BP36P	8305-BP362
* BPPCG = Black Powder Coated Over Galvanized				

FASTENERS NOT INCLUDED SEE PAGE 49



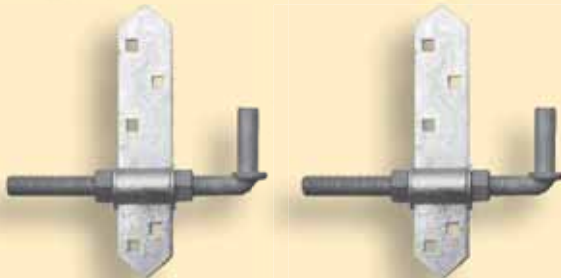
*BPPCG = Black Polyester Powder Coated over Hot Dipped Galvanized(See Page 4 for more informations about BPPCG finish)

HEAVY DUTY CRANKED STRAP SETS



HEAVY CRANKED STRAP SETS

SETS SUPPLIED WITH 1 PAIR OF 8305 HEAVY CRANKED STRAP HINGES AND A PAIR OF 8256 ADJUSTABLE HINGE MOUNTS. SINCE APPLICATIONS VARY GREATLY FASTENERS ARE NOT INCLUDED. SEE PAGE 49 FOR FASTENERS (CARRIAGE BOLTS SHOULD BE 1 INCH LONGER THAN THICKNESS OF GATE).



Complete Hinge Set

Optional Back Plates



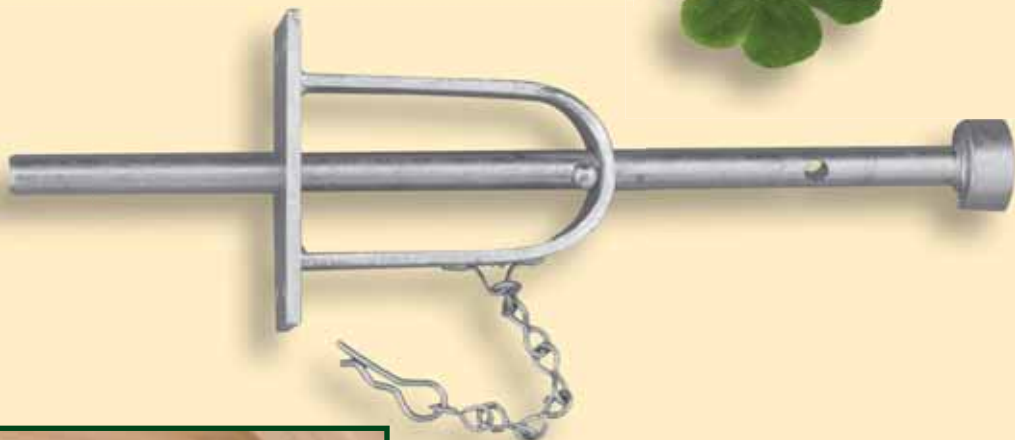
Inches	Complete Hinge Set		Optional Back Plates (pairs)		Fasteners Required for 8305 Straps Sets listed below (if mounting on a 6x6 post each adjustable hinge mount will require a pack of 5 6.5 inch carriage bolts) See Page 43 for fasteners.
	Galvanized	BPPCG*	Galvanized	BPPCG*	
18	8305-S182	8305-S18P	8305-BP182	8305-BP18P	4 of 3/8" carriage bolt and 2 of 1/2" carriage bolts
24	8305-S242	8305-S24P	8305-BP242	8305-BP24P	4 of 3/8" carriage bolt and 2 of 1/2" carriage bolts
36	8305-S362	8305-S36P	8305-BP362	8305-BP36P	6 of 3/8" carriage bolt and 2 of 1/2" carriage bolts
Fastener Pack for Galvanized Hinge Mounts					FP-8256-G (2 packs required per set)
Fastener Pack for Black Powder Coated Hinge Mount					FP-8256-B (2 packs required per set)

* BPPCG = Black Polyester Powder Coated Over Galvanized. (SEE PAGE 4 FOR DETAILED INFORMATION)

HEAVY DUTY GATE HARDWARE (LATCHES)

IRISH GATE LATCH

OUR IRISH GATE LATCH IS MODELLED AFTER LATCHES WE FOUND IN COMMON USE THROUGHOUT IRELAND'S COUNTRYSIDE. WE HAVE RE-CREATED OUR OWN VERSION SO IT WILL READILY WORK WITH EUROPEAN STYLE FIVE BAR GATES AS WELL AS WITH OUR OWN MAINE BOARD GATE, CAPE COD GATE AND DOUBLE V RAIL GATE PLANS. THE USE OF OUR ELONGATED ESCUTCHEON PLATE AS A RECEIVER ON THE POST WILL ALLOW FOR SOME GATE AND POST MOVEMENT AND IT IS EASILY INSTALLED BY DRILLING A FEW HOLES OR ROUTING A SLOT TO RECEIVE THE BAR. IT CAN BE LOCKED IN THE CLOSED POSITION WITH THE SUPPLIED SIMPLE COTTER PIN OR YOU CAN USE A PADLOCK (NOT INCLUDED) FOR MORE SECURITY. MADE FROM 5/8" ROD, IT IS 16" OVERALL IN LENGTH AND HAS MAXIMUM THROW/DRAW OF 4.5".



CLOSED POSITION

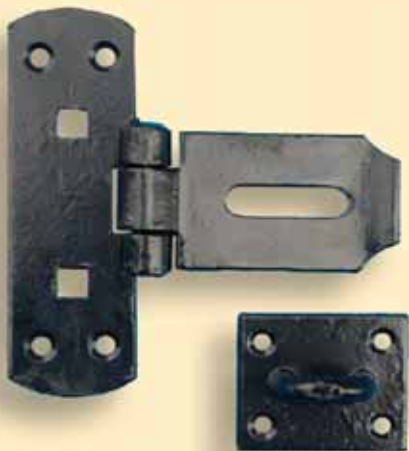


Product Code	Description
8328-002	Galvanized Irish Gate Latch
8328-00SP	Black (BPPCG) Irish Gate Latch
Fasteners Included	

OPEN POSITION



"T" HASP & STAPLE

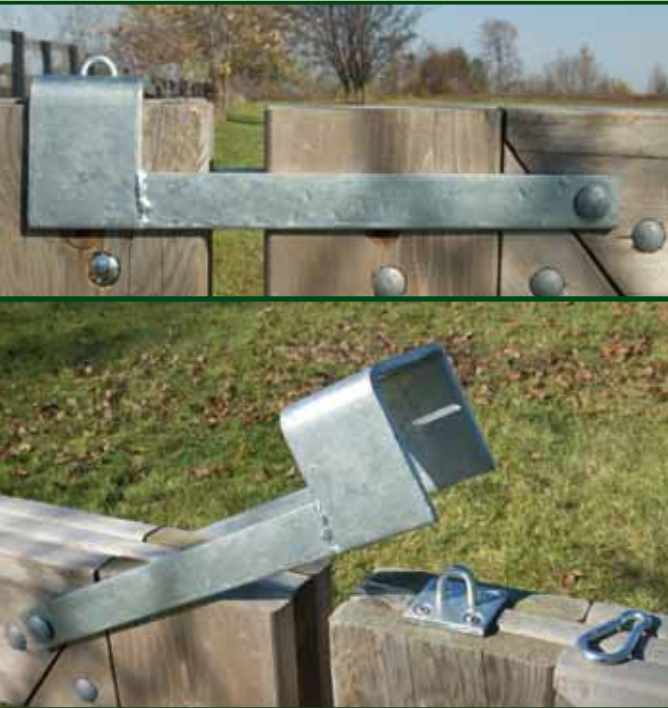


Product Code	Description
4000-002	Hot Dipped Galvanized (no fasteners included)
4000-00SP	BPPCG with Black Screws

FABRICATED FROM 3/16 INCH THICK STEEL WITH HOT DIPPED GALVANIZED FINISH. 2" WIDE HASP. OVERALL SIZE 6" X 6".

HEAVY DUTY GATE HARDWARE FOR S

THROW OVER GATE LOOP



THE THROW OVER GATE LOOP LATCH IS A SIMPLE WAY TO LATCH TWO GATES TOGETHER. THIS LATCH OPERATES BY SIMPLY FLIPPING OVER TO THE SECONDARY GATE AND BRACING IT TO THE FIRST GATE. IT CAN BE EASILY LOCKED WITH A PADLOCK OR CLIP (NOT INCLUDED).

- HEAVY CONSTRUCTION
- HOT DIPPED GALVANIZED OR BLACK OVER HOT DIPPED GALVANIZED FINISHES
- PADLOCK READY (NOT INCLUDED)
- 3" FITS GATES 2.75 - 3.125" THICK
- 3.5" FITS GATES 3.25 - 3.625" THICK

Size	Hot Dipped Galvanized	BPPCG
3"	4200-032	4200-03SP
3.5"	4200-0352	4200-035SP
Fasteners Included		

SPRING GATE LATCH

SPRING LATCHES

- FABRICATED FROM HEAVY SPRING STEEL
- VERY ROBUST LATCH, 24" HIGH
- CAN OPERATE FROM HORSE BACK
- FITS 3" THICK GATES
- REQUIRES SQUARE POST (MINIMUM 6 X 6)

A. BEHIND POSTS (8326)

- GATE BUILT 1" TO 2" WIDER THAN OPENING
- OPENS 180 DEGREES AND ALL HARDWARE IS OUT OF THE WAY WHEN OPEN
- LIVESTOCK CAN PUSH ON GATE WITH NO CHANCE OF OPENING IT

Product Code	Description
8326-002	Hot Dipped Galvanized
8326-00P	BPPCG

B. BETWEEN POSTS (8327)

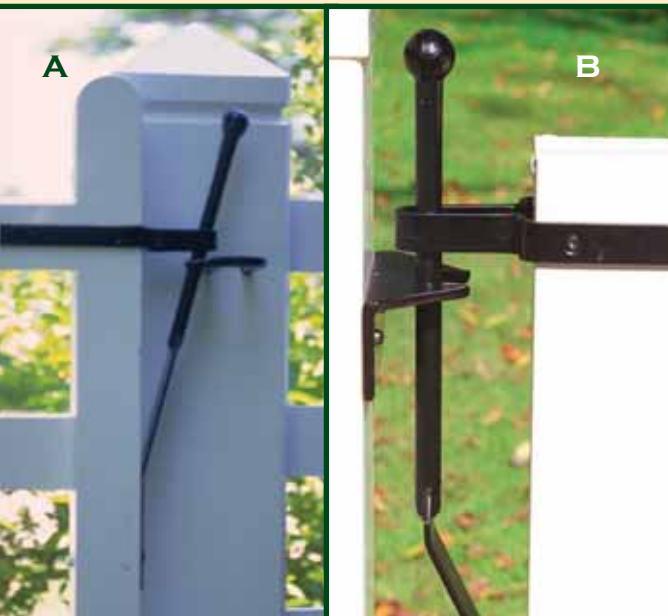
- REQUIRES 4" BETWEEN GATE AND POST

Product Code	Description
8327-002	Hot Dipped Galvanized
8327-00P	BPPCG

WHAT IS BPPCG?

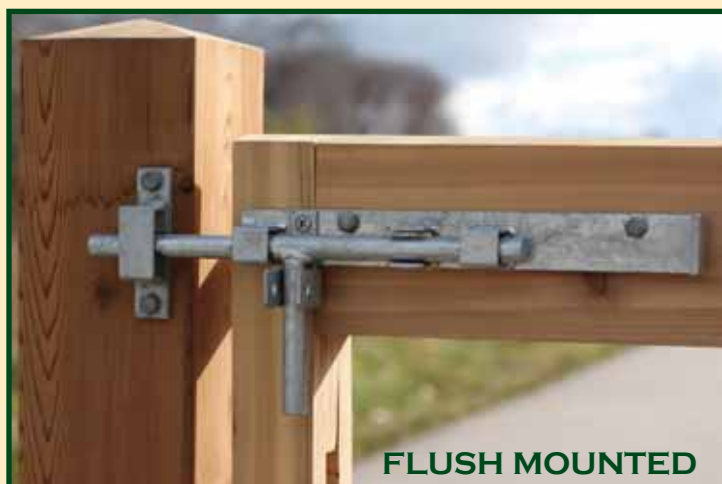
OUR BLACK POLYESTER POWDER COAT IS OVER HOT DIPPED GALVANIZED. IT IS NOT OVER BARE METAL OR A FAR INFERIOR ELECTROPLATE FINISH.

(SEE PAGE 4)



SLIDING AND RAIL GATES (LATCHES)

SLIDE BOLT GATE LATCH



FLUSH MOUNTED



SET BACK MOUNTED

WE HAVE COMBINED OUR 12" AND 15" HEAVY CANE BOLTS WITH BOTH A FLUSH MOUNT KEEPER AND A SET-BACK MOUNT ESCUTCHEON PLATE TO CREATE AN ULTIMATELY VERSATILE HEAVY SLIDE BOLT LATCH. THIS NEW PRODUCT IS PADLOCK READY (PADLOCK NOT INCLUDED), EASILY MOUNTS LEFT OR RIGHT HANDED AND COMES COMPLETE WITH BOTH MOUNTING OPTIONS PICTURED HERE. MADE FROM HEAVY 5/8" ROD, IT IS IDEAL FOR USE ON LARGER SINGLE GATES, DOUBLE GATES AND DUMPSTER ENCLOSURES.

Length Inches	Product Code	
	BPPCG*	Galvanized
12	5002-L12SP	5002-L122
15	5002-L15SP	5002-L152
* BPPCG = Black Powder Coated Over Galvanized		
Fasteners Included for slide bolt, keeper and escutcheon plate.		



HEAVY DUTY GATE WHEEL

TO ENSURE YOU GET THE KIND OF QUALITY YOU EXPECT FROM SNUG COTTAGE HARDWARE, WE USE A **304 STAINLESS STEEL SPRING** ON OUR GATE WHEELS.

OVERALL LENGTH OF 15" WITH A 4" DIAMETER WHEEL. THE BACK PLATE MEASURES 6.5" X 2" AND IS MADE OF 3/16" THICK STEEL. SUPPLIED WITH 2 CARRIAGE BOLTS (3/8" BY 4") FOR GATES UP TO 3" THICK (LONGER BOLTS CAN BE REQUESTED IF GATE IS THICKER THAN 3").

FOR INSTALLATION THE COTTER PIN IN THE 5/8" THICK SQUARE SHAFT HAS TO BE REMOVED. VERTICAL MOVEMENT OF THE WHEEL CAN BE ADJUSTED UP TO 2" BY VARYING THE LOCATION OF THE COTTER PIN IN THE SPRING

STAINLESS STEEL SPRING

Product Code	Description
5110-002	Hot Dipped Galvanized
5110-00SP	BPPCG (SEE PAGE 4 FOR DETAILED INFORMATION)
Packaged with 2 HDG 3/8" x 4" Color Matched Carriage Bolts	



HEAVY DUTY GATE HARDWARE (LATCHES)

QUICK CATCH STAINLESS LATCH

- SIMPLE TO USE
- THE GATE OPENS EASILY FROM HORSEBACK OR FROM THE GROUND; FROM A WHEELCHAIR OR EVEN WHILST HOLDING A WHEELBARROW, A PAIR OF CRUTCHES OR A DOG.
- TWO-WAY OPENING GATE SO YOU ARE ALWAYS MOVING FORWARD THROUGH THE GATE
- THE GATE CLOSSES WITH A PUSH; NO NEED TO REVERSE BACK TO THE GATE TO CLOSE IT.
- LOCKED BACK IN THE MIDDLE EVERY TIME, ALL THE TIME.
- NOT AFFECTED BY NORMAL GATE SAG.
- FITTED IN MINUTES.
- LOCKABLE WITH A PADLOCK FROM EITHER SIDE IF DESIRED (PADLOCK NOT INCLUDED)

**A RUGGED CONSTRUCTION: THEY LAST A LIFETIME AND BEYOND
PERFECT FOR WOODEN, PVC, VINYL OR METAL GATES**



SNUG COTTAGE HARDWARE IS THRILLED TO INTRODUCE AND DISTRIBUTE THE QUICK CATCH FROM GATECATCH.COM IN THE UNITED KINGDOM TO THE

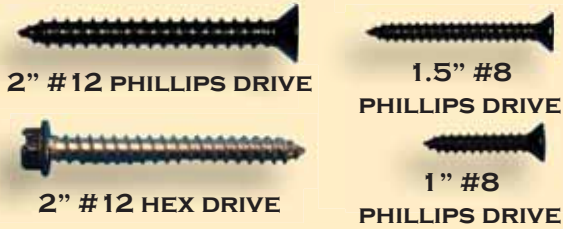
UNITED STATES AND CANADA. WE THINK THIS LATCH IS JUST BRILLIANT. EVERYTHING ABOUT THIS LATCH IS TOPNOTCH. IT IS MADE FROM STAINLESS STEEL TO LAST, IT IS SIMPLE TO INSTALL AND USE, IT CAN BE USED FROM BOTH DIRECTIONS (IF THE HINGES SWING BOTH WAYS), BUT BEST OF ALL JUST PUSH THE GATE SHUT AND IT SELF LATCHES. THOSE OF US WHO HAVE TAKEN A MARE AND FOAL THROUGH A GATE WILL GREATLY APPRECIATE THE SIMPLICITY OF USING THIS LATCH. THIS SAME SIMPLICITY AND EASE OF ACTION MAKE IT IDEAL FOR WHEEL CHAIR ACCESSIBLE INSTALLATIONS.



Gate Thickness inches	Product Code		Space Required between gate and post (inches)
	Natural Stainless Finish	Black Polyester over Stainless Finish	
1.75 to 2	4100-2SS	4100-2BSS	1.25
2.5 TO 3	4100-3SS	4100-3BSS	1.5
3 TO 3.5	4100-35SS	4100-35BSS	1.5
Fasteners Included			

FASTENERS & TOUCH UP PAINT

A



B



PACKAGED IN SETS OF 2 BOLTS, 2 NUTS, AND 2 WASHERS. AVAILABLE IN HOT DIPPED GALVANIZED OR BLACK POWDER COATED OVER HOT DIPPED GALVANIZED

C



1" #14

D



E



A. BLACK STAINLESS WOOD SCREWS

Quantity	1 inch #8		2 inch #12	
	Phillips Drive	Hex Drive	Phillips Drive	Hex Drive
100	FP-BSS10C	FP-BSS15C	FP-BSS20C	FP-BSSHex20C
1000	FP-BSS10M	FP-BSS15M	FP-BSS20M	FP-BSSHex20M
3 inch #12 Phillips Drive (Extra Long for 8292 & 8295 Hinges)				
24	FP-3XL24			

B. CARRIAGE BOLTS

3/8" DIAMETER BOLTS FOR USE WITH 7" THRU 16" 8292 AND 8295 HINGES. 1/2" DIAMETER BOLTS ARE FOR USE WITH 18" THRU 48" 8292 AND 8295 HINGES.

2 NUTS, 2 BOLTS, AND 2 WASHERS PER PACKAGE.

USE BOLTS 1" LONGER THAN THICKNESS OF GATE OR DOOR. PLEASE NOTE WE DO NOT SUPPLY CARRIAGE BOLTS WITH OUR SINGLE STRAP HINGES AS WE DO NOT KNOW THE THICKNESS OF THE GATE OR DOOR THAT THEY WILL BE USED ON.

Length	3/8 inch diameter		1/2 inch diameter	
	Hot Dipped Galvanized	Black Powder Coat over HDG	Hot Dipped Galvanized	Black Powder Coat over HDG
2.5	FP-CB325-G	FP-CB525-G	FP-CB325-B	FP-CB525-B
3	FP-CB330-G	FP-CB530-G	FP-CB330-B	FP-CB530-B
3.5	FP-CB335-G	FP-CB535-G	FP-CB335-B	FP-CB535-B
4	FP-CB340-G	FP-CB540-G	FP-CB340-B	FP-CB540-B
4.5	FP-CB345-G	FP-CB545-G	FP-CB345-B	FP-CB545-B
5	FP-CB350-G	FP-CB550-G	FP-CB350-B	FP-CB550-B
5.5	FP-CB355-G	FP-CB555-G	FP-CB355-B	FP-CB555-B
6	FP-CB360-G	FP-CB560-G	FP-CB360-B	FP-CB560-B

C. BLACK STAINLESS "TEK" SCREWS

Quantity	1" #14
100	FP-BT10C
1000	FP-BT10M

D. 2" x 5/16" LAG BOLT

BLACK OVER STAINLESS OR SELF COLOR HOT DIPPED GALVANIZED.

Quantity	Black	Self Color Galvanized
100	FP-BSL20C	FP-GL20C
1000	FP-BSL20M	FP-GL20M

E. BLACK TOUCH UP PAINT (0.6 OZ. BOTTLE)

COLOR MATCHED TO OUR POWDER COATED FINISH

Product Code	Description
1200-10B	Black Acrylic Paint

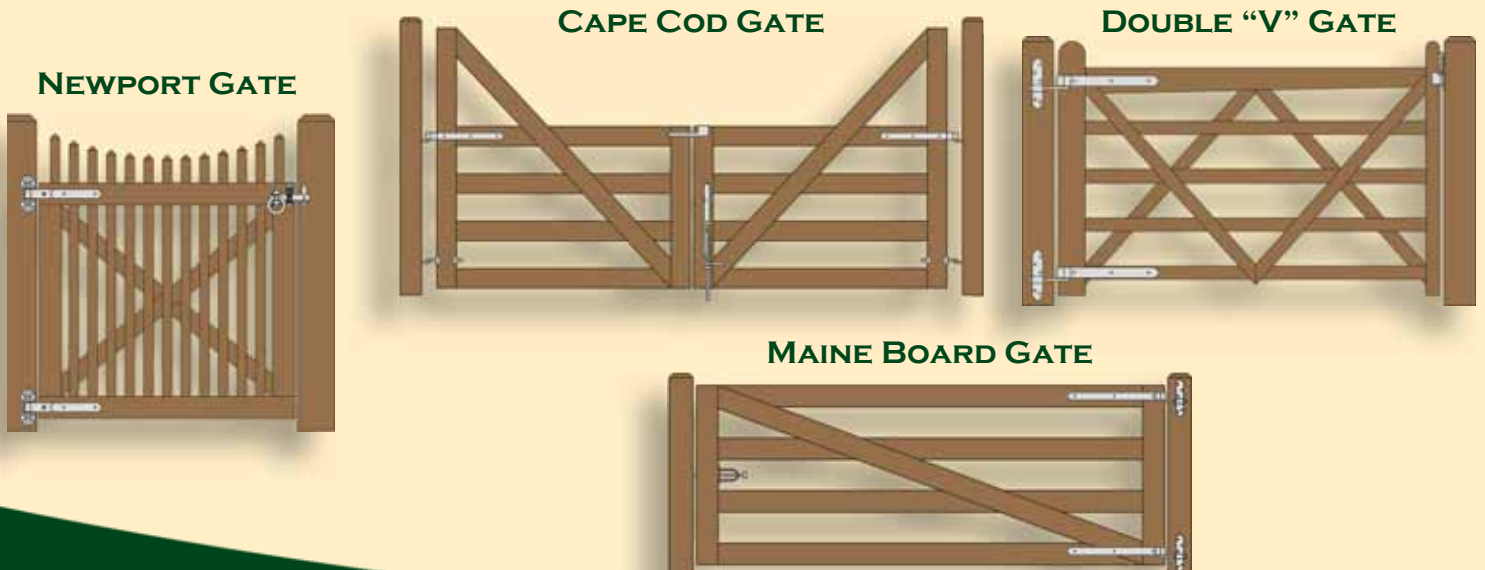
BUILD A BETTER GATE WITH FREE PLANS

DOUBLE "V" RAIL GATE

THE BRITISH HAVE BEEN BUILDING AND USING DOUBLE "V" FIVE BAR GATES FOR NEARLY TWO CENTURIES. THEY ARE A CONSTANT FEATURE OF THE BRITISH COUNTRY SIDE. THIS YEAR SNUG COTTAGE HAS ADDED PLANS SO YOU CAN BUILD YOUR OWN DOUBLE "V" RAIL GATE. THESE GATES ARE EASY TO BUILD, CAN BE BUILT WITH EASILY ATTAINABLE "DECKING" BOARDS, APPEALING TO THE EYE, AND BEST OF ALL, DUE TO THE DOUBLE "V" THE GATE WILL NOT SAG



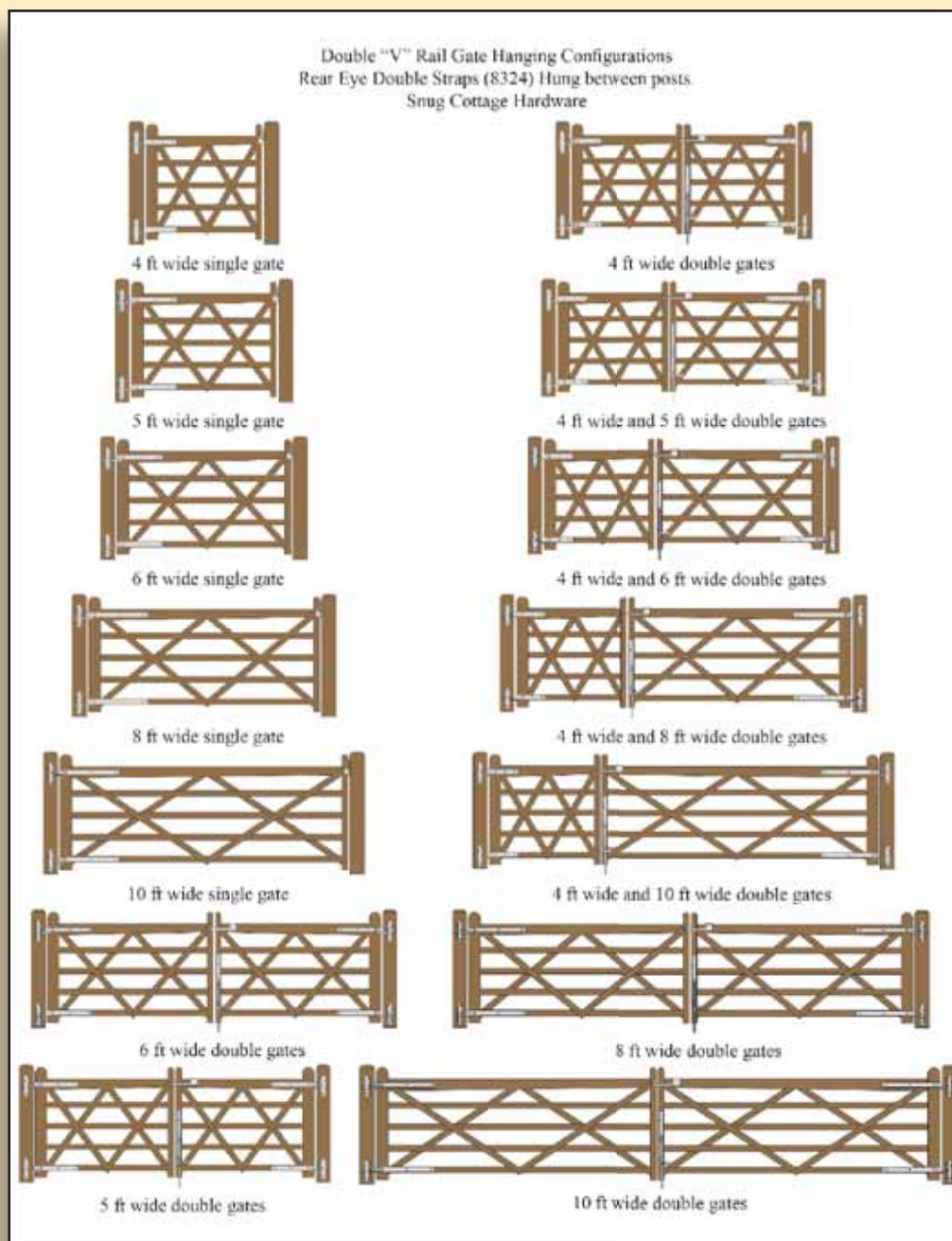
STEP 1 - PICK THE STYLE OF GATE THAT YOU WANT



PLANS AND INSTRUCTIONS

SNUG COTTAGE HARDWARE OFFERS AN EXTENSIVE SELECTION OF PLANS FOR GATES AND SOME SMALL BUILDINGS ON OUR WEB SITE. ON THE NEXT FEW PAGES WE SHOW A SAMPLE OF WHAT IS AVAILABLE. PLEASE CHECK OUR WEBSITE FOR MUCH MORE AND IT IS ALL FREE. CHECK BACK FROM TIME TO TIME BECAUSE WE OFTEN ADD NEW PLANS.

STEP 2 - PICK THE SIZE AND CONFIGURATION OF THE GATE

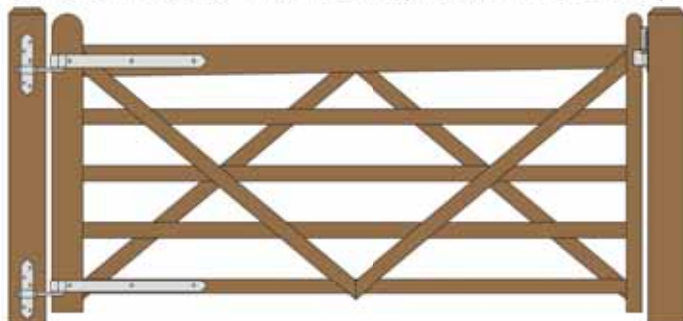


BUILD A BETTER GATE WITH FREE PLANS

STEP 3 - DOWNLOAD THE PLANS, MATERIALS LIST, AND INSTRUCTIONS FROM OUR WEB SITE

DOUBLE "V" RAIL GATE PLAN Single Gate Configuration - Tapered Top Rail

(8 FOOT WIDE 48" HIGH GATES) REAR EYE HINGES (Product Codes #8324) GATE HUNG BETWEEN POSTS



Distance between latch post and gate	A
Width of Gate	B
Distance between gate and hinge post	C
Total distance between posts	D

Hardware Required			
Hinge Set	Galvanized Finish 8324-S242	Black Powder Coat over Galvanized Finish 8324-S24P	Rear Eye Hinge Advantages Opens 180 degrees Incredible amount of adjustment Easy operation & very strong Minimal space between gate and post
Fasteners included with double strap hinges - Mounting plate fasteners sold separately**	Hinge Set Includes two 24 inch double strap (8324-242 or 8324-24SP) two mounting plate with 8" adjustable threaded pins (8256-342 or 8258-34P)		
Fasteners included with latches	Latch Options		
Quick Catch (shown above)	4100-3SS	4100-3BSS	Dimensions (feet and inches) A B C D
Spring Latch	8327-002	8327-0(P)	1.5" 8" 1" 8' 2.5"
Slide Bolt Latch (Flush/ Jamb Mount)	5002-L122	5002-L12SP	4" 8" 1" 8' 5"
Irish Gate Latch***	8328-002	8328-00SP	1" 8" 1" 8' 2"
Lumber Required			
Posts	2 of 8' x 6" x 6" (usually dressed out at 5.5" x 5.5")		
Rails, Stiles (uprights) and Diagonal Braces	made from full 1" thick by 5.5" wide lumber (commonly stocked decking material or rough cut lumber). We then cut down what we need to the 2.5" width dimension for most of the gate and in the process remove any prefinished, rounded corners.		
Top Rail (tapered)	3 of 8' x 1" x 5.5"		
Rails	2 of 8' x 1" x 5.5" (cut to 2.5" x 8')		
Stiles	3 of 4' x 1" x 5.5" (2 x 5" for hinge side and 2 x 2.5" for latch side)		
Diagonals	1 of 10' x 1" x 5.5" (cut to 2.5" x 5')		
Filler Blocks	use off cuts from other pieces for all filler pieces		
Fasteners Required			
FP-DoubleV- Fastener pack for Double V Gate Build	(Includes 14 of 3.5" and 15 of 2.5" carriage bolts with nuts and washers & 40 of 1.75" wood screws)		
**Mounting Plate Fasteners	- 10 of 3/8" carriage bolts that are 1" longer than thickness of gate post (preferred) or 10 of 3/8" lag bolts (minimum of 4" long)		
Optional Gate Hold Back	- Use a 12" Cabin Hook (4270-122 or 4270-12SP) if you require a means of keeping the gate open		
***In order to use the Irish Gate Latch on this gate with its 2.5" stile you will need to cut 2" off the latch bolt - a great option but extra work for the gate builder			

SNUG COTTAGE HARDWARE

Download includes this materials list, component cutting and layout sheet, tips on installing gate posts, and detailed instructions. For a complete listing of our free gate plans and gate layouts visit snugcottagehardware.com.

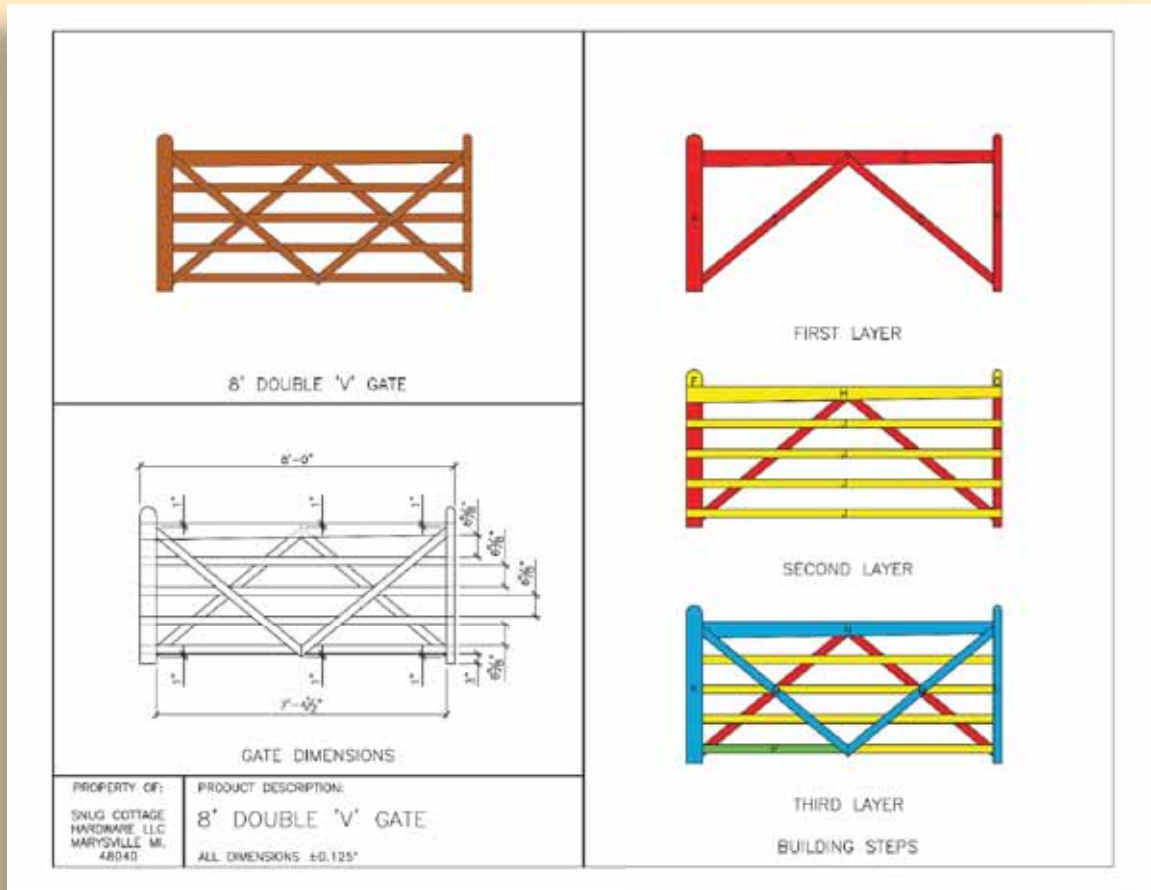
OUR PLANS AND INSTRUCTIONS GIVE YOU COMPLETE DIAGRAMS, ASSEMBLY AND LAYOUT DIAGRAMS, MATERIALS LISTS, AND HELPFUL HINTS TO BUILD A STRONG AND BETTER GATE.

THIS IS AN EXAMPLE OF OUR 8' WIDE DOUBLE "V" RAIL GATE HUNG WITH REAR EYE DOUBLE STRAPS. THE PICTURE ON THE PREVIOUS PAGE SHOWS ALL THE CONFIGURATIONS THAT ARE AVAILABLE FOR THIS STYLE OF GATE.

PLEASE NOTE THAT ALL PLANS ARE AVAILABLE TO THE END USER TO HELP YOU BUILD YOUR PROJECTS. HOWEVER, THE PLANS REMAIN THE PROPERTY OF SNUG COTTAGE HARDWARE INC. AND CANNOT BE DUPLICATED OR POSTED ELSEWHERE WITHOUT THE WRITTEN CONSENT OF SNUG COTTAGE HARDWARE INC.

AND TIPS FROM SNUG COTTAGE HARDWARE

STEP 4 - PURCHASE LUMBER AND LAY IT OUT AS SHOWN



STEP 5

BUILD YOUR GATES AND INSTALL

FOLLOW THE STEPS ON
PAGES 52 - 53

AND WE HAVE SOME TIPS THAT
WILL HELP AVAILABLE AT

www.snugcottagehardware.com

PLANS CAN BE USED AS SUPPLIED, BUT
FEEL FREE TO MODIFY OUR PLANS TO
MEET YOUR OWN REQUIREMENTS. SNUG
COTTAGE HARDWARE WOULD
APPRECIATE SEEING WHAT YOU BUILT SO
PLEASE SEND US PICTURES
WHEN COMPLETED.

Installing Gates and Posts Tips and Pointers

When one installs a gate we hope that the gate will not sag and that the gate post will not move so that our work will not only look great but function properly. However, this can be difficult to achieve as the wood that the gate and post is made of is a dynamic material that is expanding and contracting as well as twisting and warping with changes in temperature and humidity. Furthermore, in northern areas there is frost heave which tends to move posts in the ground. While we cannot eliminate these problems we can do certain things to prevent gates sagging and posts moving. Therefore, we suggest first of all to use hardware that is adjustable so that small adjustments can be made to correct movement of the posts and gates construction techniques that will prevent the gate from sagging.

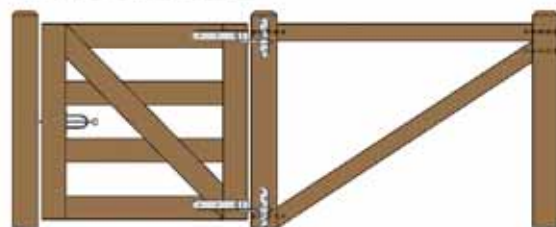
In addition, below are some recommendations that will reduce the chance of posts moving.

The Post Hole

1. Frame that the depth of the hole extends well below the frost line.
2. The diameter of the hole permits 2" of clearance between the post and the edge of the hole.
3. Ensure that tree roots are not close to the post as when the roots grow in diameter it will move the post.
4. Remove all stones and boulders that may push against the post.

The Hinge Post

1. The hinge post must be of sufficient size to support the weight of the gate. A 4 x 4 is not sufficient for a drive gate for example.
2. Brace the gate hinge post to the first line post.



We strongly suggest that the bracing between the hinge post and first line post for larger and heavier rail or driveway gates should be done as shown above. The top horizontal brace (4 x 4) fit tightly between the two posts and that lag screws are placed through the post, and extend at least 3" into the horizontal brace (if the horizontal brace is not fixed securely to the posts then it is totally ineffective). The diagonal brace (4 x 4) should fit snugly under the horizontal brace at the line post end and slope downwards to fit snugly against the gate post just above ground level. Lag screws are placed through the post and extend at least 3" into the diagonal brace.

If a wire brace to end it should extend from the high side of the hinge post to around the line post at just above ground level.

Snug Cottage Hardware
snugcottagehardware.com



**BOSTON
GARDEN POST**

HARVARD MEDICAL SCHOOL



UNIVERSITY OF WESTERN ONTARIO



PAUL REVERE TOMBSTONE

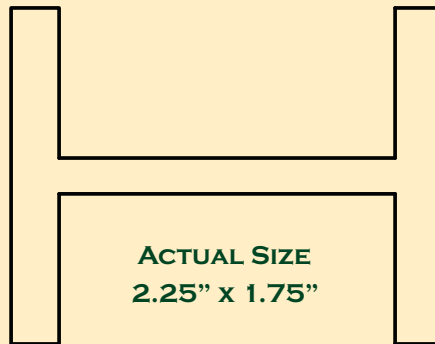
OUR BOSTON GARDEN POST IS A FULL SIZE REPRODUCTION OF THE HANDSOME POSTS AND CAPS THAT LINE THE WALKWAYS OF AMERICA'S OLDEST PARK, THE BOSTON BOTANICAL GARDEN.

OUR CAPS ARE CAST IN ALUMINUM AND SECURED TO THE POST WITH TWO SET SCREWS JUST LIKE THE ORIGINAL. THE POSTS ARE CONSTRUCTED FROM A HEAVY ALUMINUM EXTRUDED "I" BEAM THAT HAS BEEN NOTCHED TO ACCEPT THE CHAIN. THEREFORE, THERE IS NO CHANCE OF RUST OR CORROSION. BOTH THE POSTS AND CAPS ARE COATED WITH A HIGH QUALITY BLACK POLYESTER POWDER COAT.

TYPICALLY, THE 48 INCH POSTS ARE INSTALLED WITH 24 TO 26 INCHES ABOVE GROUND. THE 72 INCH POSTS ARE INSTALLED WITH 36 TO 42" ABOVE GROUND. COMPATIBLE WITH 1/4", 5/16", 3/8" LANDSCAPE CHAIN AND VICTORIAN SPIKED CHAIN.

FOR COMMERCIAL INSTALLATIONS WE RECOMMEND THAT EACH POST BE SET IN CONCRETE TO A DEPTH THAT WILL PREVENT FROST HEAVE.

Description	Product Code	
	Boston Garden	Central Park
Cap Style		
48" Post & Cap	5200-48P	5200-48A
72" Post & Cap	5200-72P	5200-72A
Cap Only	5200-00P	5200-00A



**CENTRAL
PARK POST**

POSTS AND CHAIN

ADD A SECOND CHAIN

WE HAVE ADDED AN OPTION TO UPGRADE OUR LANDSCAPE POST AND CHAIN SYSTEM WITH A SECOND STRING OF CHAIN TO CREATE A UNIQUE AND DISTINCTIVE GARDEN OR WALKWAY EDGING. THIS OPTION IS EASY TO INSTALL BY

SIMPLY DRILLING TWO RECEIVING HOLES IN OUR ALUMINUM POSTS AND BOLTING THE STAINLESS LINK TO SCREW TO THE POST WITH THE CHAIN THREADED THROUGH IT. EACH SECOND CHAIN ADAPTOR KIT IS SUPPLIED WITH TWO BLACK STAINLESS STEEL LINKS TO SCREW (3484), TWO BLACK BOLTS, NUTS AND LOCK WASHERS.



CENTRAL PARK POST

Description	Product Code
Accessory Pack for Double Chain	5200-2CBSS
Starter Kit	5200-StarterKit
<p>Starter Kit includes: Basic and alternate installation instructions, two (2) Dee Shackles to start and stop the chain at the end of the line (item # 3214-23P), one (1) Quick Link to join chain if necessary and one (1) 1/8" Allen Wrench (fits a standard multi head screwdriver) to tighten the post cap set screws.</p>	



LANDSCAPE CHAIN



LANDSCAPE CHAIN ABOUT THE COATING

FIRST OF ALL, WE USE ONLY HOT DIPPED GALVANIZED CHAIN MANUFACTURED IN THE USA TO ASSURE MAXIMUM CORROSION PROTECTION. DURING THE COATING PROCESS THE CHAIN IS EXTENSIVELY WASHED TO ENSURE ALL OXIDE IS REMOVED. IT THEN UNDERGOES A DIP "ECOAT", WHICH IS A RUST RESISTANT COATING USED IN THE AUTOMOTIVE INDUSTRY. FINALLY, A HIGH QUALITY BLACK POLYESTER POWDER COATING IS APPLIED TO PRODUCE A TOP QUALITY AND DURABLE FINISH. THIS IS A MUCH MORE DURABLE AND HARDY FINISH THAN CHAIN DIPPED IN LIQUID PLASTIC.

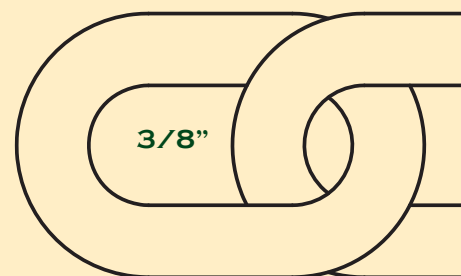
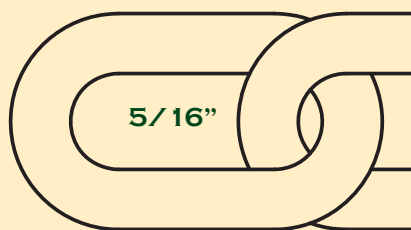
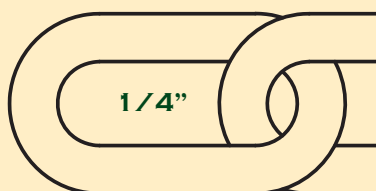
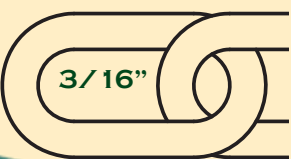
Product Code		Size *	Maximum Load (lbs.)	Maximum Single Length Available (ft.)
Galvanized	Black Powder Coat over Galvanized			
3429-182	3429-18P	3/16" x 1"	800	1000
3429-212	3429-21P	1/4" x 1.25"	1300	800
3429-232	3429-23P	5/16" x 1.275"	1900	550
3429-242	3429-24P	3/8" x 1.375"	2400	400
3429-252	3429-25P	1/2" x 1.575"	Special Order	
* size = wire diameter x length (inside length of link)				
Chain sold by the linear foot				

3/16" Chain is only recommended for light duty applications, such as residential installations.

Minimum size recommended for commercial applications is 1/4" chain with maximum post spacing of 6 linear feet. 1/4", 5/16" or 3/8" are suitable for use with our Boston Garden Posts and Central Park Posts.

SIZES AVAILABLE

(OUTLINES BELOW SHOW ACTUAL SIZE. SIZE REFERS TO THE DIAMETER OF THE WIRE USED TO FABRICATE THE CHAIN.)



VICTORIAN SPIKED CHAIN



BOSTON HOLOCAUST MEMORIAL



VICTORIAN SPIKED CHAIN

IN VICTORIAN ENGLAND SPIKES WERE WELDED INTO LANDSCAPE CHAIN TO DISCOURAGE LOITERERS.

TODAY, THIS PRODUCT IS COMMONLY SEEN THROUGHOUT THE U.K. ADORNING ESTATES, PARKS, AND MONUMENTS. AVAILABLE IN ALTERNATE LINK SPIKED CHAIN. SOLD BY THE LINEAR FOOT. MAXIMUM SINGLE LENGTH IS 82'.



Description	Product Code
BPPCG *	3827-06P



ACTUAL SIZE

CHAIN ACCESSORIES

Chain Type	"D" Shackle		Staple on 2" Square Plate		Hook on 2" Square Plate		Link to Screw	
								
Finish	HDG	BLACK (BPPCG*)	HDG	BLACK (BPPCG*)	HDG	BLACK (BPPCG*)	HDG	BLACK (BPPCG*)
3429-18P (3/16")	3214-212	3214-21P	3487-002	3487-00SP	3486-002	3486-00SP	N/A	N/A
3429-21P (1/4")	3214-212	3214-21P	3487-002	3487-00SP	3486-002	3486-00SP	N/A	N/A
3429-23P (5/16")	3214-232	3214-23P	3487-372	3487-37SP	3486-002	3486-00SP	3485-002	3485-00P
3429-24P (3/8")	3214-242	3214-24P	3487-372	3487-37SP	NA	NA	3485-002	3485-00P
Victorian (1/4")	3214-212	3214-21P	3487-002	3487-00SP	3486-002	3486-00SP	3485-002	3485-00P
Additional Information	<p>Please note all product codes listed above are available in Hot Dipped Galvanized (HDG) or Black Polyester Powder Coated over Hot Dipped Galvanized (BPPCG) finish. (See Page 4 for more informations about BPPCG finish)</p>							<p>Supplied with 2" lag screws Suitable for larger sizes of chain</p>

HITCHING POST RING ON RECTANGULAR PLATE



3.25" OD ring made from 5/16" stock mounted on a 2" x 4.25" rectangular plate. Use with "D" shackles or Quick Links to connect to chain. Supplied with 2" lag screws.

Description	Product Code
BLACK (BPPCG*)	3900-00SP
Galvanized	3900-002

*BPPCG = Black Polyester Powder Coated over Hot Dipped Galvanized(See Page 4 for more informations about BPPCG finish)

CHAIN ACCESSORIES

Quick Links	Swivel Eye Snap Link	Forged Screw Eye	Link to Screw
			
Black Powder Coated 316 Stainless	Black Powder Coated 316 Stainless	Black Powder Coated 304 Stainless	Black Powder Coated 316 Stainless
3036-21P	3037-23P	3488-00P	3484-B316
3036-21P	3037-23P	3488-00P	3484-B316
3036-23P	3037-23P	3488-00P	3484-B316
3036-24P	3037-23P	3488-00P	N/A
3036-21P	3037-23P	3488-00P	3484-B316
Threaded joining link	Simple way to provide access Easily removable	 <p>Thread into wood Set in epoxy for granite Use with 3214 "D" shackle</p>	 <p>Supplied with 1.5" x #8 screws Suitable for smaller sizes of chain</p>

HITCHING POST RING ON SCREW



3.25" diameter ring made from 5/16" wire attached to 3/8" x 4.5" lag screw eye with 3" of threads. Can be used on wooden posts or installed in granite posts using epoxy. Use with "D" Shackles or Quick Links to attach chain.

Description	Product Code
BLACK (BPPCG*)	3901-00P
Galvanized	3901-002

*BPPCG = Black Polyester Powder Coated over Hot Dipped Galvanized(See Page 4 for more informations about BPPCG finish)

DISTINCTIVE STAINLESS STEEL

HAMPTON THUMB LATCH

OUR HAMPTON THUMB LATCH IS FASHIONED ON AN OLD PENNSYLVANIA DESIGN THAT DATES BACK TO THE LATE 1800's.

Nantucket Traditional Hardware

- WILL NOT RUST (STAINLESS STEEL & ZINC/ALUMINUM COMPONENTS)
 - SHORT THUMB BAR FOR GATES UP TO 3" THICK AND LONG THUMB BAR FOR GATES 3.25" TO 5" THICK INCLUDED
 - EASY TO INSTALL (REQUIRES SINGLE 3/4 INCH ROUND HOLE)
 - FITS EITHER RIGHT OR LEFT HAND
 - BLACK POLYESTER POWDER COAT FINISH
 - SUPPLIED WITH BLACK STAINLESS STEEL "TEK" FASTENERS
 - ORNATE FLIP OVER MECHANICAL LOCKING MECHANISM
 - UP TO 1" GAP BETWEEN GATE AND POST
 - 5.5" CAST STAINLESS STEEL BAR
 - 7" HIGH ORNATE HANDLE
 - CAN BE COMBINED WITH STAINLESS STEEL PADLOCK EYES IF LOCKING IS REQUIRED (SEE PAGE 18)
- A. OPTIONAL STAINLESS STEEL PADLOCK EYES (PADLOCK NOT INCLUDED) AVAILABLE IF GATE NEEDS A KEY LOCKING MECHANISM.



(HAMPTON THUMB LATCH FOR WOOD INSTALLATIONS ON PAGE 20)



Product Code	
Black with screws	Black with screws and Stainless Padlock Eyes
4300-PSP	4300-PSEP



ESTHETICALLY PLEASING TRADITIO
SUPERIOR PERFORMANC

HARDWARE FOR PVC & VINYL GATES

TWISTED RING GATE LATCH

*Nantucket
Traditional
Hardware*



- ATTRACTIVE TWISTED RING LATCH WITH STAINLESS STEEL BAR, RETAINER AND CATCH
- FOR GATES UP TO 5" THICK
- BLACK POLYESTER POWDER COAT FINISH
- OPERATES FROM BOTH SIDES
- SUPPLIED WITH BLACK STAINLESS STEEL "TEK" FASTENERS
- EASY TO INSTALL (REQUIRES SINGLE 3/4" INCH ROUND HOLE) WRAP AROUND PLATE IS ALSO THE TEMPLATE FOR PERFECT INSTALLATION
- CAN BE COMBINED WITH STAINLESS STEEL PADLOCK EYES IF LOCKING IS REQUIRED (SEE PAGE 18)

Product Code	
Black with screws	Black with screws and Stainless Padlock Eyes
4149-P6SP	4149-PESP

A. OPTIONAL STAINLESS STEEL PADLOCK EYES (PADLOCK NOT INCLUDED) AVAILABLE IF GATE NEEDS A KEY LOCKING MECHANISM (RING GATE LATCH FOR WOOD INSTALLATIONS ON PAGE 16)



BACK VIEW



FRONT VIEW



FULL WRAP AROUND LATCH & CATCH

NANTUCKET TRADITIONAL HARDWARE DESIGNED FOR
USE ON PVC AND VINYL

DISTINCTIVE STAINLESS STEEL



BEAUTIFUL NEW
ENGLAND FENCE DESIGNS
DOMINATE THE PVC FENCE INDUSTRY.

NOW SNUG COTTAGE OFFERS
HARDWARE THAT ACCENTUATES THOSE
DESIGNS WHILE OFFERING HIGH
DURABILITY AND SUPERIOR
PERFORMANCE.

FRONT VIEW

ESTHETICALLY PLEASING TRADITION
SUPERIOR PERFORMANCE

HARDWARE FOR PVC & VINYL GATES

9" & 12" ADJUSTABLE OLD FASHIONED HINGE

STAINLESS STEEL HINGES THAT OFFER LATERAL ADJUSTMENT

- 304 STAINLESS STRAPS AND CAST 304 STAINLESS CUPS
- BLACK POLYESTER POWDER COATED
- SLOTTED STRAP FOR EASY ADJUSTMENT (ADJUSTS 1/2" EITHER WAY OF A 1" GAP BETWEEN GATE AND POST)
- EASY TO INSTALL - GATE SANDWICHED BETWEEN STRAPS OFFERS STRENGTH AND SUPPORT - GATE POST AND GATE STILE INSERT RECOMMENDED
- SUPPLIED WITH 5" X 1/4" BLACK STAINLESS CARRIAGE BOLTS, ACORN NUTS, AND WASHERS FOR GATES UP TO 4" THICK
- 1.5" BLACK STAINLESS TEK SCREWS TO ATTACH CUPS TO POST
- FILLER BLOCKS ARE REQUIRED IF RAILS ARE THINNER THAN STILES (THE USE OF SOLID CELLULAR MATERIAL SUCH AS AZEK IS RECOMMENDED)



STRAP DETAIL



BACK VIEW SHOWING AZEK FILLER BLOCKS

*Nantucket
Traditional
Hardware*

Product Code	Description
8292-09PSS	9" Adjustable Black Stainless Strap Hinge
8292-12PSS	12" Adjustable Black Stainless Strap Hinge

INSTALLATION IS QUICK & EASY

<p>1.</p>	<p>2.</p>	<p>3.</p>	<p>4.</p>
<p>PLACE FIRST STRAP BACK PLATE SO BEND HOOKS AROUND EDGE OF POST AND CENTERED ON RAILS. ATTACH BACK PLATE AND BLOCK USING SCREWS.</p>	<p>USING A 5/16" BIT DRILL THREE PERPENDICULAR HOLES AT LEAST HALF WAY THROUGH THE THICKNESS OF THE GATE.</p>	<p>FLIP THE GATE OVER. ATTACH SECOND BACK PLATE ON THE BACK SIDE AT THE SAME LEVEL AS THE FIRST BACK PLATE. DRILL HOLES AS IN STEPS 1 & 2.</p>	<p>ATTACH THE STRAP WITH PINS TO FRONT OF GATE USING CARRIAGE BOLTS. PASS BOLTS THRU STRAP, BOTH BACK PLATES, SECURE WITH WASHERS AND NUTS</p>

NANTUCKET TRADITIONAL HARDWARE DESIGNED FOR USE ON PVC AND VINYL

ADJUSTABLE SELF CLOSING HINGES

A. STANDARD HINGES FOR SQUARE POSTS OR WELDED GATES



3 1/4" WIDE BY 3 1/2" HIGH, RESIDENTIAL WRAP AROUND SELF CLOSING (TENSION ADJUSTABLE) STAINLESS STEEL HINGES. INTENDED FOR GATES UP TO 48" WIDE BY 72" HIGH. AVAILABLE IN EITHER BLACK OR WHITE POLYESTER POWDER COAT FINISH.

STAINLESS STEEL "TEK" FASTENERS INCLUDED.

Stainless Steel

Product Code	Description
STANDARD 304 STAINLESS STEEL	
8100-BPSS	Black Adjustable PVC Hinge
8100-WPSS	White Adjustable PVC Hinge
PREMIUM 316 STAINLESS STEEL	
8100-B316	Black Adjustable PVC Hinge
Sold in Pairs	

B. WRAP AROUND STRAP HINGE FOR WELDED GATES

THESE 304 STAINLESS STEEL HINGES ARE SELF CLOSING (TENSION ADJUSTABLE) AND INTENDED FOR RESIDENTIAL GATES UP TO 48" WIDE BY 72" HIGH. THE WRAP AROUND POST MOUNT IS 3 1/4" WIDE BY 3 1/2" HIGH. THE STRAP IS 8" LONG BY 3 1/2" HIGH WITH A 1 1/2" WRAP AROUND. AVAILABLE IN BLACK POLYESTER POWDER COAT FINISH. STAINLESS STEEL

"TEK" FASTENERS INCLUDED.

CAN ALSO BE USED ON WOOD. SEE PAGE 14 SPRING MAY BE LEFT WITH NO TENSION IF SELF CLOSING IS NOT REQUIRED. HEAVY GATES MAY REQUIRE AN ADDITIONAL GATE SPRING.



Stainless Steel

Product Code	Description
7400-BPSS	Black Strap Adjustable PVC Hinge
Sold in Pairs	

AUTO CLOSING GATE LATCHES

C. STANDARD LATCH

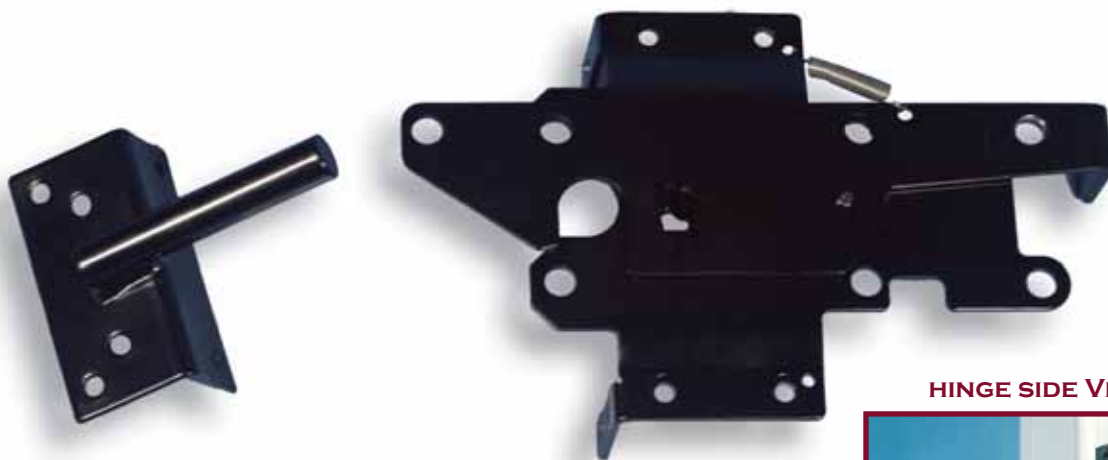
Stainless Steel



**STAINLESS STEEL
"TEK" FASTENERS
INCLUDED.**

Product Code	Description
STANDARD 304 STAINLESS STEEL	
8200-BPSS	Black Auto Locking Latch
8200-WPSS	White Auto Locking Latch
PREMIUM 316 STAINLESS STEEL	
8200-B316	Black Auto Locking Latch

D. EXTENDED LATCH (LOCKABLE FROM BOTH SIDES UP TO A 5" POST)



**STAINLESS STEEL
"TEK" FASTENERS
INCLUDED.**

Stainless Steel

Product Code	Description
STANDARD 304 STAINLESS STEEL	
8300-BPSS	Black Extended Auto Locking PVC Latch
8300-WPSS	White Extended Auto Locking PVC Latch

HINGE SIDE VIEW

BACK VIEW



CANE BOLT WITH SEPARATE RETAINER



WRAP AROUND STAINLESS STEEL CANE BOLT WITH SEPARATE RETAINER. THE SEPARATE RETAINER CAN BE SET SO THAT THE BAR CAN BE RAISED OR LOWERED ANYWHERE BETWEEN 1 AND 10 INCHES (EVEN MORE FOR THE 36" & 48" CANE BOLT). IT ALSO ELIMINATES THE FRUSTRATION OF LINING UP PROTUBERANCES ON THE BAR WITH HOLES ON THE GUIDES.

24" AND 36" ARE AVAILABLE IN EITHER A BLACK OR WHITE POLYESTER POWDER COATING OVER 304 STAINLESS STEEL. THE 48" IS AVAILABLE IN BLACK ONLY, STAINLESS STEEL "TEK" FASTENERS ARE INCLUDED.

Stainless Steel



INSTALLED WITHOUT LOCKING BRACKET

Product Code	Description
4096-BP24	Black 24" Stainless PVC Cane Bolt
4096-WP24	White 24" Stainless PVC Cane Bolt
4096-BP36	Black 36" Stainless PVC Cane Bolt
4096-WP36	White 36" Stainless PVC Cane Bolt
4096-BP48	Black 48" Stainless PVC Cane Bolt

LOCKED POSITION

SUPPLIED WITH SEPARATE PADLOCKABLE BRACKET WHICH CAN BE INSTALLED IF DESIRED. (PADLOCK IS NOT INCLUDED).

GATE STOP FOR USE ON PVC



STAINLESS STEEL GATE STOP FOR USE ON PVC. "T" PROFILE WITH EACH WING 1.5" WIDE. DRAMATICALLY DECREASES GATE PROBLEMS AND CALL BACKS!! CAN BE MOUNTED ON GATE OR GATE POST. USE ON PVC OR WOOD INSTALLATIONS.



WHEN THE WIND BLOWS THE GATE STOP ABSORBS THE FORCE OF THE GATE CLOSING, PROTECTING THE LATCH



Stainless Steel

Product Code	Description
1400-PSS	Black Stainless Gate Stop

"BRUTUS" GATE SPRING FOR USE ON PVC



WE HAVE BEEN ASKED MANY TIMES FOR A STRONGER AND MORE RELIABLE SPRING FOR PVC. OUR PVC GATE SPRING HAS THE SAME HEAVY DUTY STAINLESS STEEL SPRING AS OUR HEAVY DUTY, RELIABLE GATE SPRING FOR WOOD GATES. NOT ONLY IS THE SPRING HEAVIER THAN YOU WILL FIND ELSEWHERE IT IS ALSO WELDED AT BOTH ENDS SO THAT IT WILL NOT FAIL.

Stainless Steel

Product Code	Description
304 STAINLESS STEEL	
4612-BPSS	Black "BRUTUS" Gate Spring

STAINLESS HANDLE FOR USE ON PVC

RUGGED STAINLESS STEEL 10" HANDLE FINISHED WITH A BLACK POLYESTER POWDER COAT. STAINLESS STEEL FASTENERS FOR WOOD AND PVC INCLUDED.



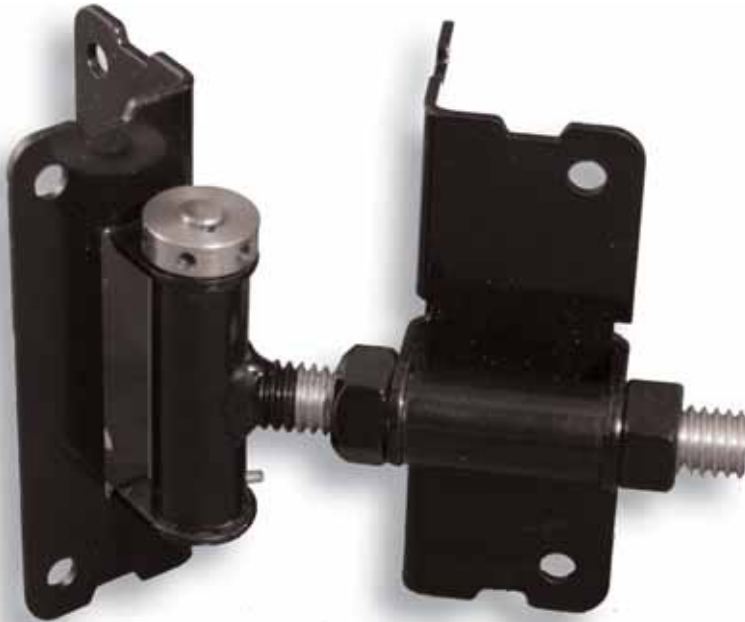
Stainless Steel

Product Code	Description
4130-BSS	10" Black Handle (304 Stainless)



STAINLESS STEEL HARDWARE FOR ORNAMENTAL ALUMINUM GATES

ADJUSTABLE SELF CLOSING HINGE



1 1/2" WIDE BY 4" HIGH, RESIDENTIAL WRAP AROUND SELF CLOSING (TENSION ADJUSTABLE) 304 STAINLESS STEEL HINGES. INTENDED FOR ALUMINUM GATES UP TO 48" WIDE BY 72" HIGH. AVAILABLE IN BLACK POWDER COAT FINISH.

CAN BE USED ON POSTS AS NARROW AS 1.5" THICK.

STAINLESS STEEL "TEK" FASTENERS INCLUDED.

Product Code	Description
304 STAINLESS STEEL	
3100-BPSS	Black Adjustable Hinge

Stainless Steel

AUTO CLOSE LATCH FOR ALUMINUM GATES

2.5" BAR (LATCHING LENGTH) MOUNTED ON A 1 1/2" WIDE BY 3" HIGH WRAP AROUND PLATE. LATCH IS 6.25" LONG AND SUITED FOR POSTS UP TO 2.5" THICK.

INTENDED FOR ALUMINUM GATES UP TO 48" WIDE BY 72" HIGH. MANUFACTURED FROM 304 STAINLESS STEEL.

AVAILABLE IN BLACK POWDER COAT FINISH.
CAN BE USED ON POSTS 1.5" TO 2.5" THICK.

STAINLESS STEEL "TEK" FASTENERS INCLUDED.



Product Code	Description
304 STAINLESS STEEL	
3200-BPSS	Black Latch

Stainless Steel

STAINLESS STEEL HARDWARE FOR ORNAMENTAL ALUMINUM GATES

CANE BOLT (LOCKABLE) FOR ALUMINUM GATES

OUR 304 STAINLESS STEEL CANE BOLTS COME WITH A SEPARATE RETAINER SO YOU CAN EASILY ADJUST THE AMOUNT OF DROP. IT HAS WRAP AROUND GUIDE BRACKETS FOR STRENGTH THAT CAN EASILY BE SWITCHED FOR LEFT OR RIGHT HAND INSTALLATIONS. IT IS SUPPLIED WITH A SEPARATE BRACKET TO MAKE LOCKING WITH A PADLOCK (NOT INCLUDED) EASY.

- BLACK POLYESTER POWDER COAT OVER 304 STAINLESS STEEL
- 24" AND 36" LENGTHS AVAILABLE
- LEFT OR RIGHT HAND INSTALLATION
- LOCKABLE WITH PADLOCK (NOT INCLUDED)
- AMOUNT OF "DROP" IS EASILY ADJUSTED FOR YOUR SPECIFIC NEEDS
- SEPARATE BAR RETAINER
- FITS 1.5" OR BIGGER GATE UPRIGHT

Product Code	Description
304 STAINLESS STEEL	
3096-24SS	24" Black 304 Stainless Steel Cane Bolt
3096-36SS	36" Black 304 Stainless Steel Cane Bolt

Stainless Steel

LOCKED POSITION

SUPPLIED WITH SEPARATE
PADLOCKABLE BRACKET WHICH CAN
BE INSTALLED IF DESIRED.
(PADLOCK IS NOT INCLUDED).

OLD FASHIONED ROLLING DOOR HARDWARE



ADJUSTABLE TRACK STOP

STANDOFF



MEDIUM HANGERS SHOWN WITH SAFETY BRACKET

Part Description	How Sold	Product Code
Small Horseshoe Hangers (7.5" wide)	Pairs	5600-3001
Medium Horseshoe Hangers (9.5" wide)	Pairs	5600-3002
Small Single Strap Hangers	Pairs	5600-3061
Medium Single Strap Hangers	Pairs	5600-3062
Large Single Strap Hangers	Pairs	5600-3063
4 foot length of track with 5 standoffs and lag bolts	Set	5600-3024
5 foot length of track with 6 Standoffs and lag bolts	Set	5600-3025
6 foot length of track with 7 Standoffs and lag bolts	Set	5600-3006
4" x 5/16" Black Stainless Lag Bolt (for use with Track)	Each	5600-3018
Track Stops	Pairs	5600-3030
Adjustable Track Stops (for center or ends)	Pairs	5600-3031
Safety Brackets (prevents door coming off track) RECOMMENDED	Pairs	5600-3041
Adjustable Stay Roller	Each	5600-3044
Black Concealed Fin Fin Guide for Interior Applications	Each	5600-3064
Door Stop	Each	5600-3045
Pull Handle	Each	5600-3049
Black Recessed Handle	Each	5600-3067
Enhance the installation with these Snug Cottage Products		
Black Heavy Duty "T" Hasp	Each	4000-00SP
Twisted Ring Latch for Sliding Doors	Each	4151-0SP
Standoff Extensions (1/4" thick) and Track Joiners Available as Required		



HEAVY DUTY HASP

AND ACCESSORIES - DISTRIBUTED BY SNUG COTTAGE HARDWARE

MANUFACTURED IN CONNECTICUT, THESE BARN DOOR ROLLERS AND TRACK ARE REPRODUCTIONS OF OLD ROLLERS THAT ARE VIRTUALLY UNAVAILABLE AS THE ORIGINALS WEAR OUT AND THE SUPPLY OF REPLACEMENTS IN ANTIQUE SHOPS DWINDLE.

THEY ARE USED ON NEW AND RESTORED HOMES, CARRIAGE BUILDINGS AND BARN. IDEALLY SUITED FOR INTERIOR RENOVATIONS.

WE CARRY THREE SIZES AND TWO STYLES. THE SMALL HANGERS HAVE A WHEEL WITH THREE SPOKES WHILE THE MEDIUM AND LARGE HAVE FIVE SPOKES.

CASTINGS FOR THE WHEELS ARE DUCTILE IRON WITH A STAINLESS STEEL PIN. THE BODY OF THE HANGERS AND THE TRACK ARE MADE OF 1/4" STEEL AND ARE FINISHED WITH A HIGH QUALITY TEXTURED EXTERIOR GRADE POWDER COAT.

THE STANDOFFS, WHEN APPLIED DIRECTLY TO THE BUILDING WILL ALLOW FOR A DOOR UP TO 2" THICK. THICKER DOORS CAN BE ACCOMMODATED BY USING STANDOFF EXTENSIONS (AVAILABLE IN 1/4", THICKNESS)

HANGER/ROLLER FASTENERS ARE INCLUDED (FOR DOORS UP TO 2" THICK).

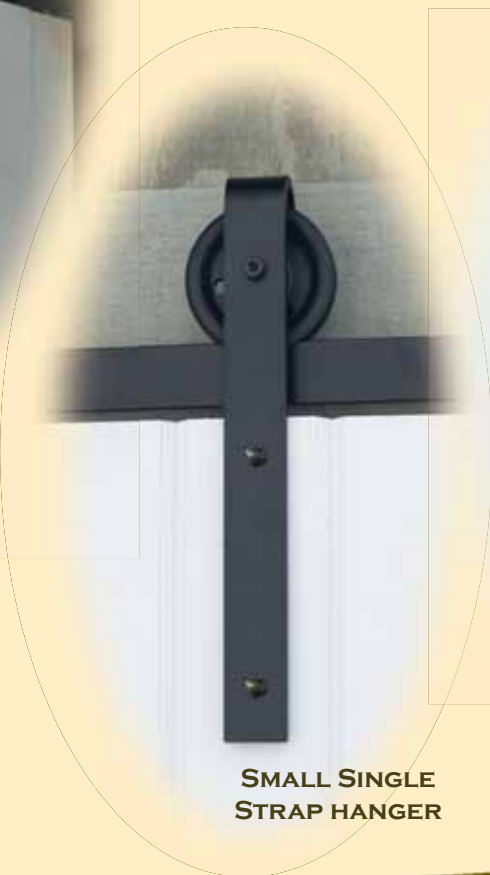
CAN BE USED FOR INTERIOR OR EXTERIOR APPLICATIONS. THIS PRODUCT LINE IS BLACK POWDER COATED OVER AN "E COAT" RUST PROTECTION LAYER. "E" COATING IS VERY COMMON IN THE AUTO INDUSTRY BUT DOES NOT OFFER THE SAME DEGREE OF PROTECTION AGAINST RUST AS HOT DIPPED GALVANIZED.



SAFETY BRACKET



STAY ROLLER



SMALL SINGLE STRAP HANGER



PULL HANDLES



RING LATCH FOR SLIDING DOORS



END TRACK STOP

SNUG COTTAGE HARDWARE IS A DISTRIBUTOR OF THIS PRODUCT WHICH IS MANUFACTURED IN CONNECTICUT

PRODUCTS DISTRIBUTED BY

CONTEMPORARY STYLE ROLLING DOOR HARDWARE



SMALL SINGLE STRAP HANGER



FIN GUIDE



RECESSED HANDLE



ADJUSTABLE TRACK STOP



SAFETY BRACKET



HANDLE



STAY ROLLER

Part Description	How Sold	Product Code
Square End Small Single Strap Hangers	Pairs	5600-3061
Square End Medium Single Strap Hangers	Pairs	5600-3062
Square End Large Single Strap Hangers	Pairs	5600-3063
4 foot length of track with 5 standoffs and lag bolts	Set	5600-3024
5 foot length of track with 6 Standoffs and lag bolts	Set	5600-3025
6 foot length of track with 7 Standoffs and lag bolts	Set	5600-3006
4" x 5/16" Black Stainless Lag Bolt (for use with Track)	Each	5600-3018
Track Stops	Pairs	5600-3030
Adjustable Track Stops (for center or ends)	Pairs	5600-3031
Square End Safety Brackets (prevents door coming off track) RECOMMENDED	Pairs	5600-3041
Square End Door Stop	Each	5600-3045
Square End Adjustable Stay Roller	Each	5600-3044
Black Concealed Fin Guide for Interior Applications	Each	5600-3064
Square End Handle	Each	5600-3049
Recessed Handle	Each	5600-3067
Standoff Extensions (1/4" thick) and Track Joiners Available as Required		

BOSTON POST HOLE DIGGER

IDEALLY SUITED FOR REMOVING SMALL ROCKS, DEBRIS, AND LOOSE DIRT FROM BOTTOM OF HOLE AFTER DRILLING WITH AUGER.



- DIGGER BLADE IS SHARPENED TO CUT THROUGH ROOTS AND DEBRIS.
- UNIQUE LEVER ACTION SCOOP PROVIDES MAXIMUM DIGGING EFFICIENCY.
- HARDWOOD HANDLE IS DEPTH MARKED.

WIDTH: 7.5"
 DEPTH: 7.5"
 HEIGHT: 71"
 WEIGHT: 15 LBS.

BLACK POWDER COATED STEEL AND URETHANED HARDWOOD HANDLE.



Product Code	Description
E-UNIVOO	Boston Post Hole Digger
Replacement Parts	
E-185003V	Wooden Digger Handle
E-203240C	Lever Handle-tubular steel
E-203245	Connecting Rod-steel handle to scoop
E-2480070B	Digger Blade
E-2480090B	Steel Scoop
E-442001F	Scoop Casting
E-443001F	Blade Casting

HAND TWIST AUGER DIGGER

- ADJUSTABLE TO 6, 7 OR 8" DIAMETER HOLES
- OVERALL HEIGHT IS 48"-SUITABLE FOR 44" HOLES
- COMFORTABLE WOODEN T HANDLE
- DURABLE STEEL CONSTRUCTION
- CARBON STEEL CUTTING BLADES



Product Code	Description
E-678	Hand Twist Auger Digger



PRODUCTS DISTRIBUTED BY

VERTICAL KEYPAD



- Low maintenance
- Mechanical operation requires no power or batteries
- Off Door recoding is simple
- Optional All Weather Cover
- Suitable for interior and exterior applications
- Standard hardware to fit gates or doors up to 4" thick
- Left or Right Hand installations (2605 is changeable L/R)
- *2605 has a 0.875" bolt throw*
- 1 Year Limited Warranty



COMBINATION DEAD

Suitable for both swing gates and out building doors, these dead bolt style, push button mechanical coded locks are perfect for when both security and access are needed. Coded from the outside with an easy throw lever on the inside, there is no need to carry a key. The 8000 possible code combinations provide excellent security while the marine grade finish will hold up to harsh marine environments.

The BL2605 is easy to install. It is supplied with all the mounting hardware needed to suit gates or doors up to 4" thick. It also comes with both a flush mount receiver as well as an escutcheon plate for set-back installations. Both have elongated slots to allow for some movement in the post.



ALL WEATHER COVER



Product Code	Description
BL2605	Lateral Action Combination Dead Bolt
MG Cover	All Weather Cover

SNUG COTTAGE HARDWARE

BOLT LOCKS

HORIZONTAL KEYPAD



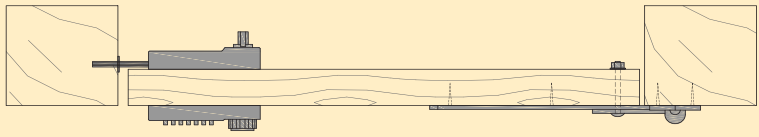
Suitable for both swing gates and out building doors, these dead bolt style, push button mechanical coded locks are perfect for when both security and access are needed. Coded from the outside with an easy throw lever on the inside, there is no need to carry a key. The 8000 possible code combinations provide excellent security while the marine grade finish will hold up to harsh marine environments.

The BL2615 is easy to install. It is supplied with all the mounting hardware needed to suit gates or doors up to 4" thick. It also comes with both a flush mount receiver as well as an escutcheon plate for set-back installations. Both have elongated slots to allow for some movement in the post.

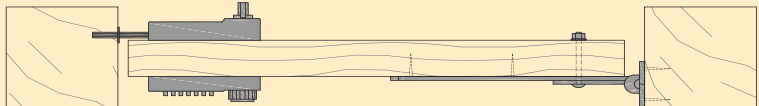


ALL WEATHER COVER

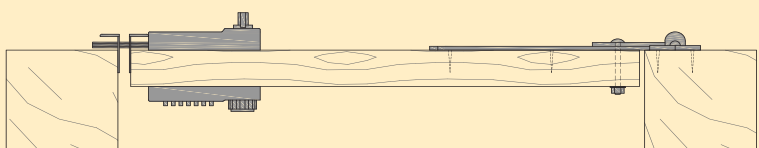
RIGHT HAND INSTALLATIONS (BL2615-RH)



FLUSH ON THE OUTSIDE



INSTALLED IN CENTER OF OPENING



FLUSH ON THE INSIDE

- Low maintenance
- Mechanical operation requires no power or batteries
- Off Door recoding is simple
- Optional All Weather Cover
- Suitable for interior and exterior applications
- Standard hardware to fit gates or doors up to 4" thick
- Left or Right Hand installations (2615 order specific hand)
- *2615 has a 1.5" bolt throw*
- 1 Year Limited Warranty

Product Code	Description
BL2615-RH	Right Hand Lateral Action Combination Dead Bolt
BL-2615-LH	Left Hand Lateral Action Combination Dead Bolt
MG Cover	All Weather Cover

PRODUCTS DISTRIBUTED BY

COMBINATION LOCK FOR METAL GATES



Combining a specially designed lockcase with a marine grade keypad, the BL3400 and BL3430 gate locks are designed for metal ornamental gates. They can be planned into a new gate build or used as a retrofit lock for metal gates with a bit of ingenuity. These models come with a lever handle turn device, a key override lock cylinder and an Easicode Pro code changing mechanism, allowing a quick, on the door code change. They are supplied with an adjustable strike plate for easy installation and adjustment and all necessary mounting hardware. The latch projection from the gate lock is adjustable from 2.375" to 3.125" to accommodate a wide range of gate frame thicknesses and the lock body will fit a gate frame as narrow as 1.375" (1 3/8).

The BL3400DKO-ECP is fitted with a lever handle keypad one side and an un-coded lever handle on the other. The BL3430DKO-ECP is fitted with back to back lever handle keypads.



- Low maintenance
- Mechanical operation requires no power or batteries
- Easily adjustable latch projection
- Key override to pull back the latch
- Key operated dead bolt function deactivates keypads
- On Door recoding is simple with supplied tool
- Left or Right Hand installations with one lock
- 1 Year Limited Warranty



Equipped with the Easicode Pro code changing system which allows the keypad codes to be changed without the need to uninstall the lock.

Product Code	Description
BL3400DKO-ECP	Single Sided Keypad Metal Gate Lock with Key Override Function
BL3430DKO-ECP	Double Sided Keypad Metal Gate Lock with Key Override Function
BL3400-RPA	Round Post Adaptor Kit



END V IEW
BL3430DKO-ECP

SNUG COTTAGE HARDWARE



MAGNALatch

Product Code	Description
ML3TPKA	Black Top Pull MagnaLatch
MLTPS2WTBGA	White Top Pull MagnaLatch
Sold individually or in case of 15 units.	

The Magnalatch is a high quality latch that meets the requirements of most pool barrier codes (check local regulations prior to installing).

- Patented magnetic latching technology.
- Key lockable.
- 20.5" High.
- For wood, vinyl, or metal gates.



LOKKLatch DELUXE

- Rekeyable, 6-pin lock cylinders
- Adjusts horizontally and vertically
- One model fits wood, vinyl, or metal gates
- 316 marine grade stainless steel componets
- Locks and unlocks from both sides of the gate

Product Code	Description
LLDAB-K	Black LokkLatch Deluxe with EAK
LLDABW-K	White LokkLatch Deluxe with EAK
Sold individually or in case of 6 units.	



LOKKLatch MAGNETIC

- D&D patented latching
- intuitive PUSH/PULL action
- Dual, 6-pin re-keyable locks
- Vertical & Horizontal adjustment
- No visible fasteners
- locks and unlocks from both sides
- fits metal, wood and vinyl gates

Product Code	Description
LLMKABT	Black LokkLatch Magnetic
Sold individually or in case of 10 units.	



SNUG COTTAGE HARDWARE IS PROUD TO OFFER HIGH QUALITY PRODUCTS FROM D & D TECHNOLOGIES. IF YOU DON'T SEE THE D & D PRODUCT YOU NEED WE CAN SUPPLY IT. CALL FOR PRICING.

GATEHandle

- Strong, glass reinforced polymer construction
- 5" high x 1 3/4' wide

Product Code	Description
LL3GH	Black Polymer Gate Handle
Sold individually or in case of 10 units.	

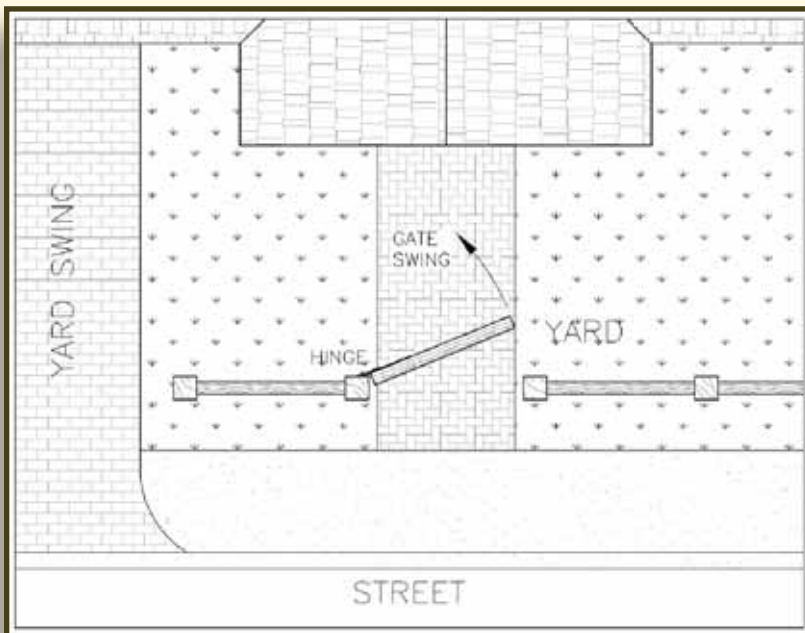


HOW DOES MY THUMB LATCH SWING?

Thumb latches in general are designed to function with a “Yard Swing” set up. What we mean by this is when you walk up to a gate from the street you are walking up to the attractive handle portion of the latch that you can grab hold of, press the thumb bar and push the gate into the yard. The actual latching components of the latch and the hinges (pivot point) are on the back side of the gate that you cannot see from the street. This is what we mean by “Yard Swing”.

With some modification to the latch components and with sufficient clearance requirements met we are able to take some of these thumb latches and swing them towards the street. What we mean by this is when you walk up to the gate from the street you are still walking up to the attractive handle portion of the latch that you can grab hold of, press the thumb bar and then pull the gate toward you. The actual latching components are still on the back side of the gate but the hinges (pivot point) are now able to be on the front or street side of the gate with the attractive thumb handle.

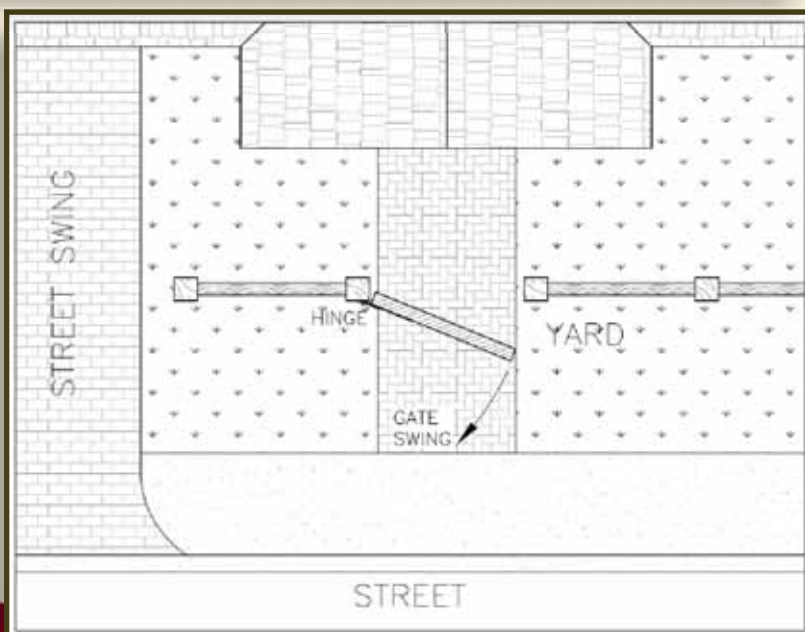
This is what we mean by “Street Swing”.



YARD SWING

FROM THE STREET ONLY THE THUMB HANDLE IS VISIBLE.

THE HINGES AND LATCH BAR ARE ON THE YARD SIDE.



STREET SWING

FROM THE STREET THE THUMB HANDLE AND HINGES ARE VISIBLE.

THE LATCH BAR IS ON THE YARD SIDE.



THE SNUG COTTAGE DIFFERENCE!

OUR **B**LACK **P**OLYESTER **P**OWDER **C**OAT IS OVER HOT DIPPED **G**ALVANIZED (**BPPCG**). IT IS NOT OVER BARE METAL OR A FAR INFERIOR ELECTROPLATE FINISH.

DUE TO THE DIFFICULTY OF SUCCESSFULLY POWDER COATING OVER HOT DIPPED GALVANIZED PRODUCT WE USE A LOCAL MICHIGAN COMPANY FOR THIS PROCESS. WE APPLY THIS LABEL TO ALL OUR BPPCG PRODUCT.



TESTING FOR RUST RESISTANCE

Salt spray testing is the industry standard when it comes to determining a products surface coating stability and the ability to resist rusting over time. Prior to testing a deliberate scratch is made that penetrates the surface coating deep into the underlying metal substrate. Typically a sample of the product is put in a cabinet where it is sprayed with a salt water spray for many hours.

Snug Cottage Hardware routinely tests samples of our products for 1000 hours to ensure the finishes applied meet our high standard requirements. After removal from the salt spray cabinet product is examined to ensure the coatings do not flake and rust that formed at the deep scratch is confined to the scratch and does not migrate under the coatings. We will accept nothing less.



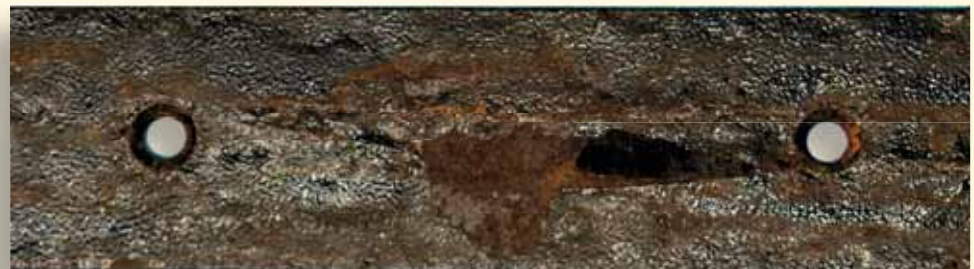
Snug Cottage Hardware hinge after 1000 hour Salt Spray Test



Close up of Deliberate Scratch shows little rust, no rust migration, and no detachment of the surface coating



Competitor's hinge after the same 1000 hour Salt Spray Test



Close up of Deliberate Scratch shows excessive rust, dramatic rust migration, and advanced detachment of the surface coating



SNUG COTTAGE
Est. 1995
HARDWARE

TRADITIONAL & CONTEMPORARY DESIGNS — EXCEPTIONAL QUALITY

www.snugcottagehardware.com

(800) 637-5427