



Do It Right the First Time

With a 20 year warranty, Iron World privacy panels are built to last and dress up those unsightly areas of your property. You can spend a little up front to install it once or continue to replace your enclosures year in and year out. Realize the Iron World difference.



9390 Davis Avenue
Howard County · Maryland 20723
Phone: (301) 776-7448 · 1-866-310-2747
Fax: (301) 776-7449 www.ironworldfencing.com

SPECIFICATIONS

Available in 6 stock colors: white, brown, emerald green, black, woodland green, and bronze



Industrial Aircraft Rivets are used to ensure added durability and strength

Features an embossed wood grain finish

Long lasting 11 gauge G90 galvanized steel channels

Optional angle board available for added privacy

25 gauge G90 galvanized steel interlocking boards

20 Year Warranty



Call Dealer for Sample Piece
866-310-2747

IRON WORLD[®]
MANUFACTURING

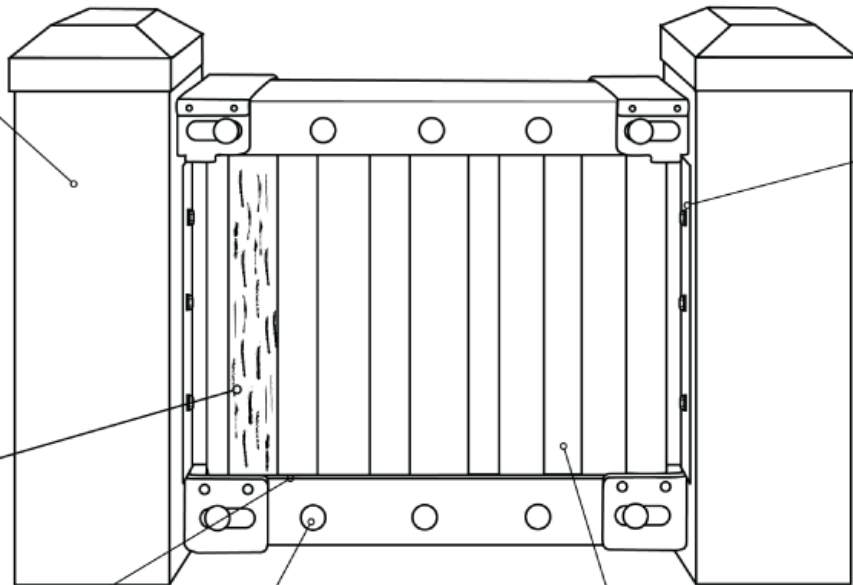


Privacy Panels

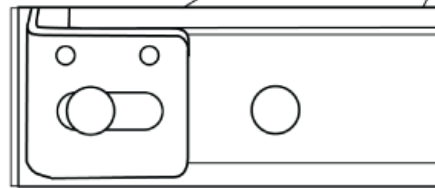
Stock Colors	
	White
	Brown
	Emerald Green
	Black
	Woodland Green
	Bronze

Powder Coated
(All Colors Available)

Embossed Wood Grain Finish

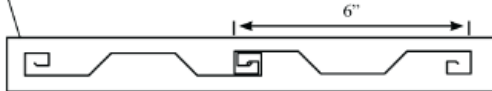


Optional Angle Board for Added Privacy



11 Gauge G90 Galvanized Steel Channel

Industrial Aircraft Rivets for Added Durability and Strength



G90 Galvanized Steel Interlocking Boards; 25 Gauge (Top View)

Privacy Panel Sample